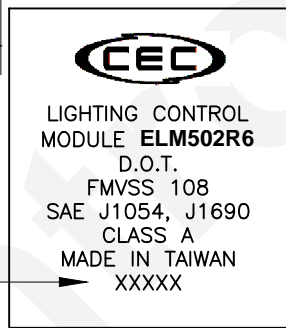
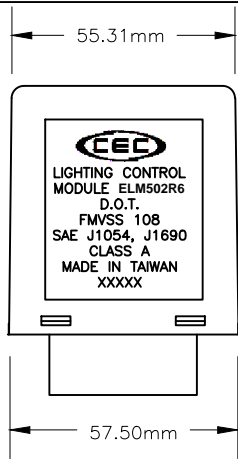
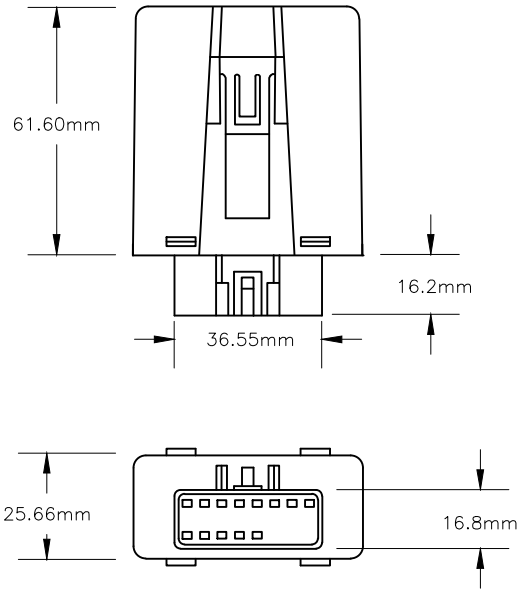


HOUSING COLOR: BLACK



DATE CODE
(5 DIGIT)

ELM502R6 - Lighting Control Module with DRL and LED Control

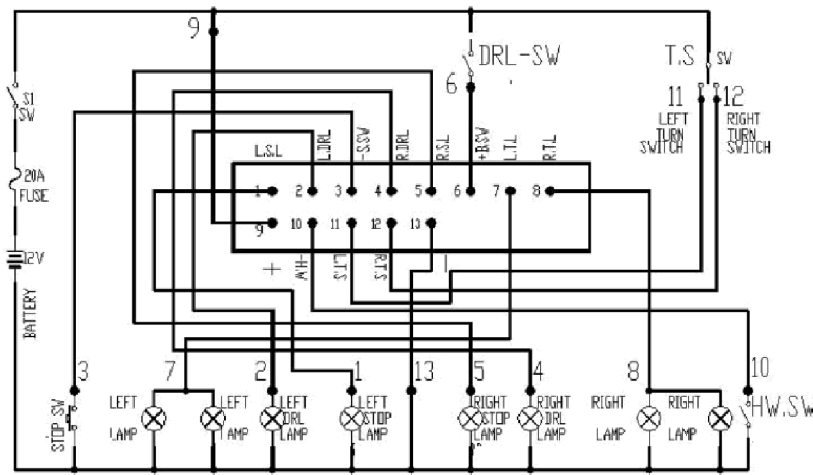
Features: Advance discrete control with six relays
Front Turn Signal bulbs used as Daytime Running Lights (DRL)
Low current input DRL control
Low current input Turn Signal control
Low current input Hazard Warning control
Brake Lamp control

Specifications: AM noise reduction circuitry
Designed for 2 Turn / 4 Hazard bulb load
Max load -6 Lamps (with trailering) & 2 Telltales
FMVSS108, J1054 & J1690 Class A.

Shell Construction: Plastic
Rated Load: 1 to 4 SAE #1156 Lamps (front). 1 to 2 10W LED (rear)
Lamp Ratings: No. 1156 2.10 Amps. At 12.8 Volts
Temperature Operating Range: -25°F to 140° F (-32°C to 63°C)
Rated Voltage: 11 to 15 Volts DC.
128° F 11 to 13 Volts
78° F 12.8 Volts
0° 11 to 13 Volts
Voltage Drop at Rated Current: 500 mv
Time to First Flash: Less than 1.5 seconds.
Flash Rate over Temperature Range: 60 to 120 Flashes Per Min.
Duty Cycle: 35% to 75%
Electrical Source:
20 amps. Fused circuit recommended.

- 1 Terminal = Left Brake Lamp
- 2 Terminal = Left DRL Lamp
- 3 Terminal = Brake S/W
- 4 Terminal = Right DRL Lamp
- 5 Terminal = Right Brake Lamp
- 6 Terminal = DRL S/W
- 7 Terminal = T.S Left Lamp
- 8 Terminal = T.S Right Lamp
- 9 Terminal = Battery (+)
- 10 Terminal = H.W. S/W
- 11 Terminal = T.S Left turn S/W
- 12 Terminal = T.S Right turn S/W
- 13 Terminal = Battery (-)

Date code (5 digits) , Julian date, first three digits = day of the year last 2 digits = last two digits of current year
(example: 12308 = 123rd day of 2008)



4	REVISED RATED LOAD	02/14/2018	R.M.
3	REVISED RATED LOAD	05/03/2017	R.M.
2	ADDED DATE CODE	08/10/2012	D.C.
1	ISSUED	06/04/2010	D.C.
REV	DESCRIPTION	DATE	APPROVAL

UNLESS OTHERWISE SPECIFIED:
DIMENSIONS ARE IN INCHES
TOLERANCES

DECIMALS	ANGULAR
.XX ± .05	± 0.5°
.XXX ± .010	
FRACTIONAL	± 1/64

CEC INDUSTRIES LTD
599 BOND STREET LINCOLNSHIRE IL 60069

TITLE
LIGHTING CONTROL MODULE ELM502R6

DRAWN D.C.	DATE 06/04/2010	SIZE A	FSCM NO.	DWG NO. ELM502R6	REV 4
CHECKED		SCALE	PLOT SCALE	SHEET 1 OF 1	
DESIGN		FILE ELM502R6.dwg		DO NOT SCALE DRAWING	