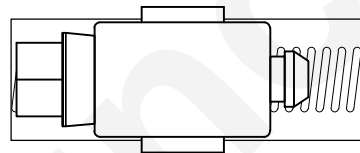
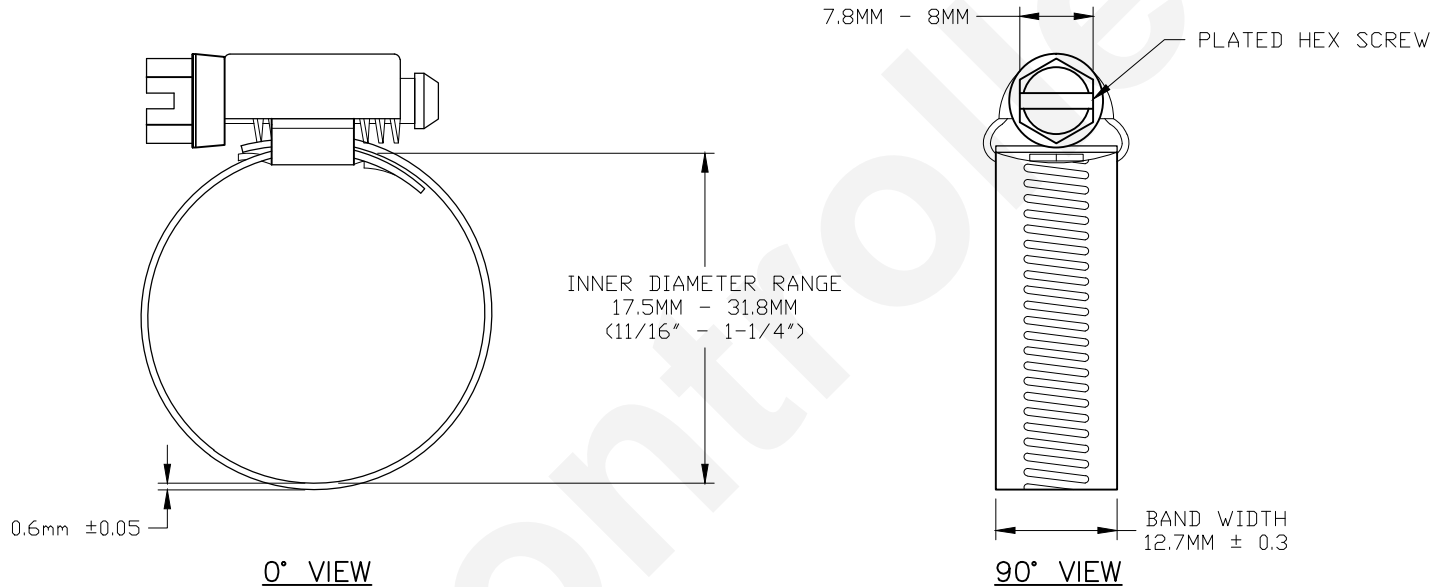




PART NO.	DIAMETER RANGE
HC12.7-12	11/16" - 1-1/4" OR 17.5MM - 31.8MM

REVISIONS			
REV #	DESCRIPTION	DATE	APPROVED
1	ISSUED	01/10/2017	R.M.



BASE BOTTOM VIEW

UNLESS OTHERWISE SPECIFIED: DIMENSIONS ARE IN INCHES TOLERANCES		CEC INDUSTRIES LTD	
DECIMALS .XX ± .05	ANGULAR ± 0.5°	599 BOND STREET	LINCOLNSHIRE, IL 60069
.XXX ± .010	FRACTIONAL ± 1/64	TITLE HOSE CLAMP NO. HC12.7-12	
DRAWN ROSE MEDINA	DATE 01/10/2017	SIZE A	FSCM NO. DWG NO. HC12.7-12 REV 1
CHECKED	DESIGN	SCALE	PLOT SCALE SHEET 1 OF 1
MATERIAL	FILE HC12.7-12.pdf	DRAWING NOT TO SCALE	