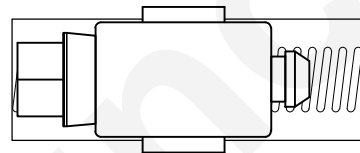
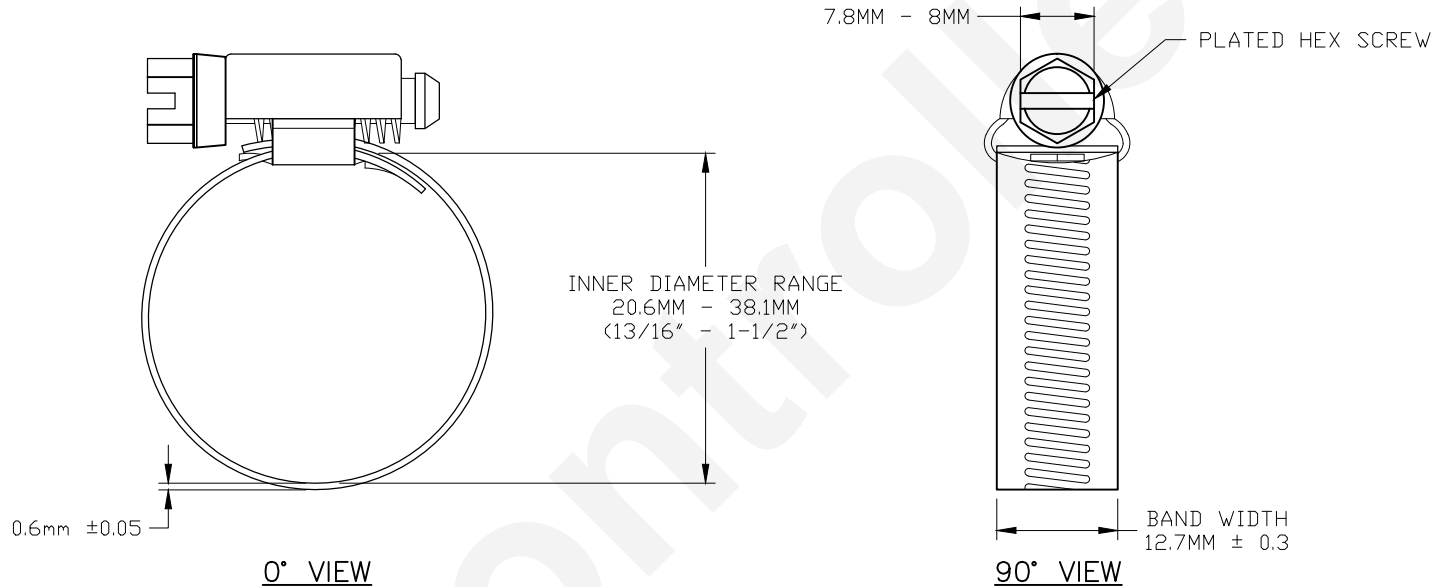




PART NO.	DIAMETER RANGE
HC12.7-16	13/16" - 1-1/2" OR 20.6MM - 38.1MM

REVISIONS			
REV #	DESCRIPTION	DATE	APPROVED
1	ISSUED	01/10/2017	R.M.



BASE BOTTOM VIEW

UNLESS OTHERWISE SPECIFIED: DIMENSIONS ARE IN INCHES TOLERANCES		CEC INDUSTRIES LTD	
DECIMALS	ANGULAR	599 BOND STREET	LINCOLNSHIRE, IL 60069
.XX ± .05	± 0.5°		
.XXX ± .010			
FRACTIONAL	± 1/64		
DRAWN	DATE	TITLE	
ROSE MEDINA	01/10/2017	HOSE CLAMP NO. HC12.7-16	
CHECKED		SIZE	REV
		A	1
DESIGN		FSCM NO.	DWG NO.
			HC12.7-16
MATERIAL		SCALE	PLOT SCALE
			SHEET 1 OF 1
		FILE	DRAWING NOT TO SCALE
		HC12.7-16.pdf	