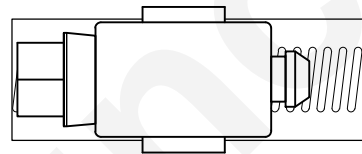
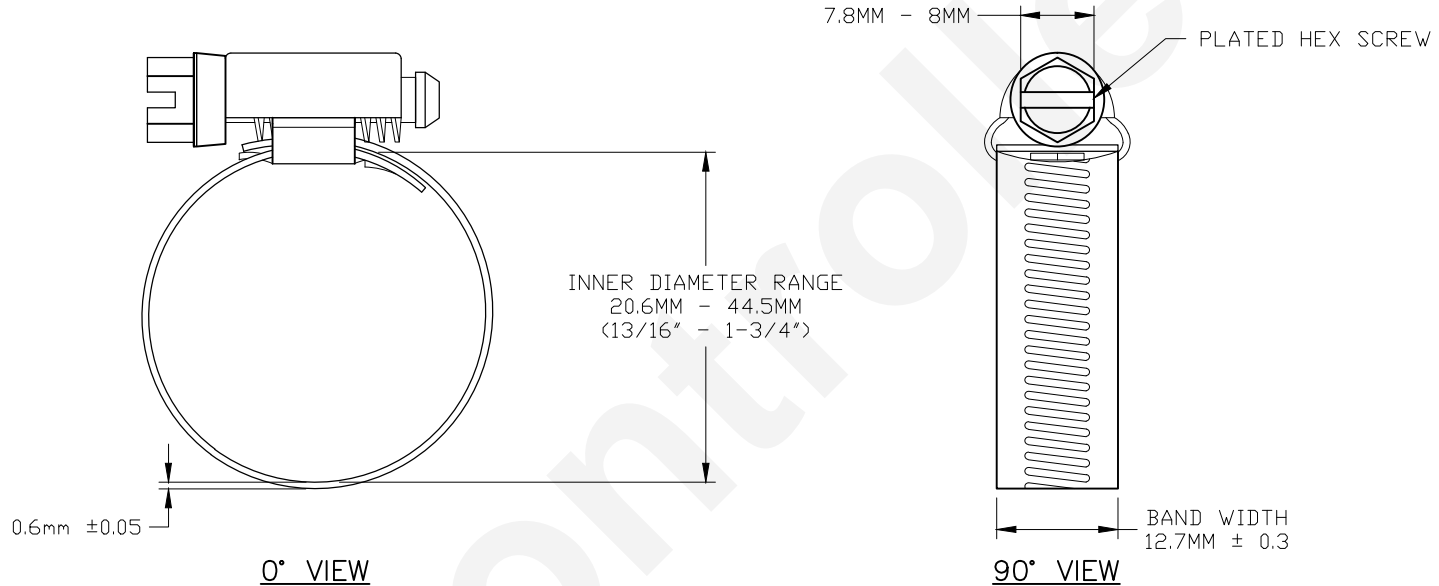




PART NO.	DIAMETER RANGE
HC12.7-20	13/16" - 1-3/4" OR 20.6MM - 44.5MM

REVISIONS			
REV #	DESCRIPTION	DATE	APPROVED
1	ISSUED	01/10/2017	R.M.



BASE BOTTOM VIEW

UNLESS OTHERWISE SPECIFIED: DIMENSIONS ARE IN INCHES TOLERANCES		CEC INDUSTRIES LTD	
DECIMALS	ANGULAR	599 BOND STREET	LINCOLNSHIRE, IL 60069
.XX ± .05	± 0.5°		
.XXX ± .010			
FRACTIONAL	± 1/64		
DRAWN ROSE MEDINA	DATE 01/10/2017	TITLE HOSE CLAMP NO. HC12.7-20	
CHECKED		SIZE A	REV 1
DESIGN		FSCM NO.	DWG NO. HC12.7-20
MATERIAL		SCALE	PLOT SCALE
		FILE HC12.7-20.pdf	SHEET 1 OF 1
			DRAWING NOT TO SCALE