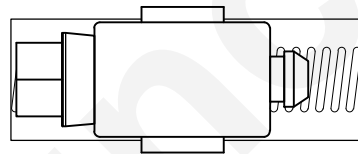
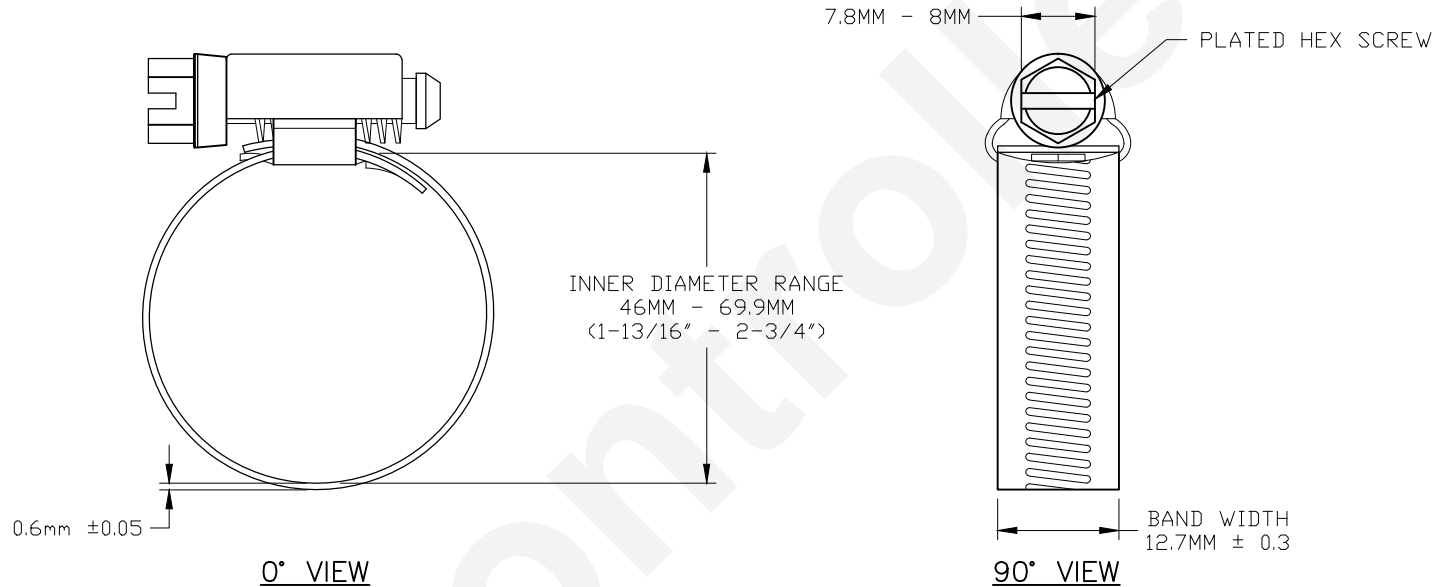




PART NO.	DIAMETER RANGE
HC12.7-36	1-13/16" - 2-3/4" OR 46MM - 69.9MM

REVISIONS			
REV #	DESCRIPTION	DATE	APPROVED
1	ISSUED	01/10/2017	R.M.



BASE BOTTOM VIEW

UNLESS OTHERWISE SPECIFIED: DIMENSIONS ARE IN INCHES TOLERANCES		CEC INDUSTRIES LTD			
DECIMALS	ANGULAR	599 BOND STREET		LINCOLNSHIRE, IL 60069	
.XX ± .05	± 0.5°				
.XXX ± .010					
FRACTIONAL	± 1/64				
DRAWN ROSE MEDINA	DATE 01/10/2017	TITLE HOSE CLAMP NO. HC12.7-36			
CHECKED		SIZE A	FSCM NO.	DWG NO. HC12.7-36	REV 1
DESIGN		SCALE	PLOT SCALE	SHEET 1 OF 1	
MATERIAL		FILE HC12.7-36.pdf	DRAWING NOT TO SCALE		