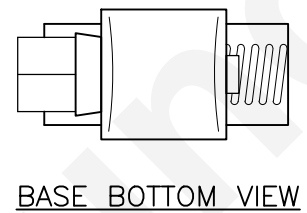
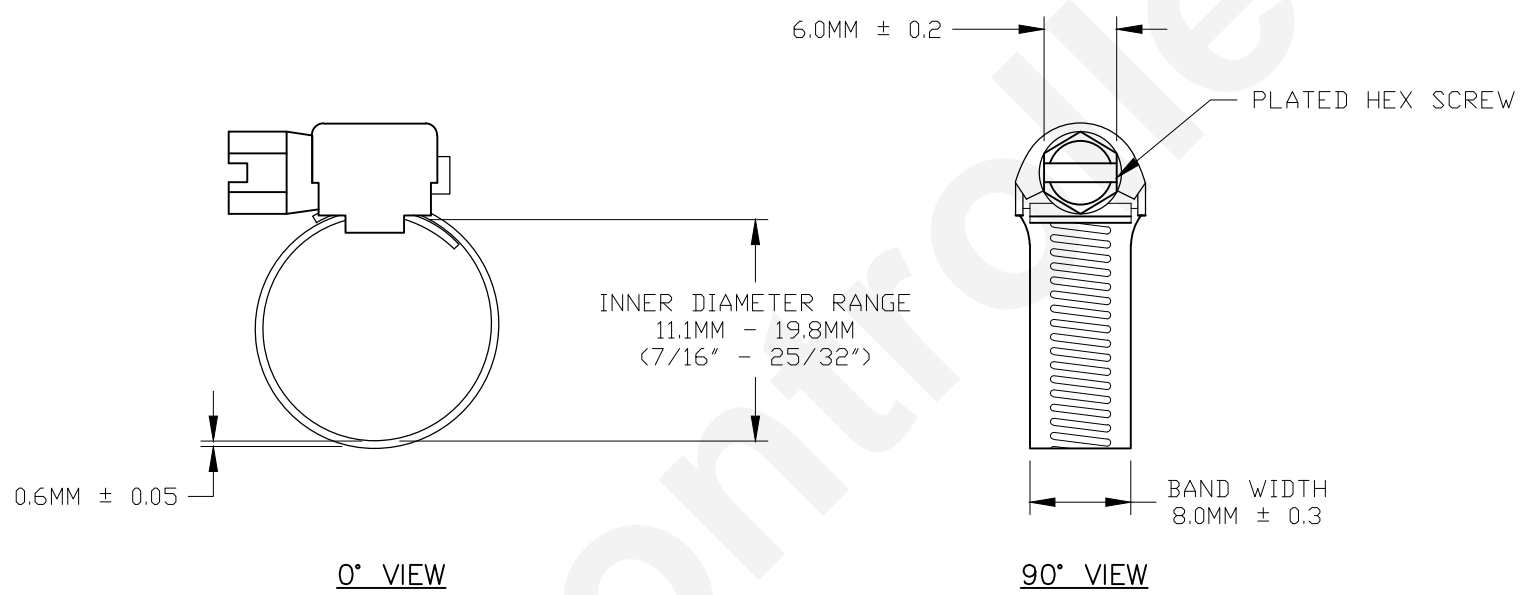




Since 1959

PART NO.	DIAMETER RANGE	REVISIONS			
		REV #	DESCRIPTION	DATE	APPROVED
HC7.9-06	7/16" - 25/32" OR 11.1MM - 19.8MM	1	ISSUED	01/10/2017	R.M.



UNLESS OTHERWISE SPECIFIED: DIMENSIONS ARE IN INCHES TOLERANCES		CEC INDUSTRIES LTD			
DECIMALS	ANGULAR	599 BOND STREET		LINCOLNSHIRE, IL 60069	
.XX ± .05	± 0.5°	TITLE HOSE CLAMP NO. HC7.9-06			
.XXX ± .010		SIZE A	FSCM NO.	DWG NO. HC7.9-06	REV 1
FRACTIONAL	± 1/64	SCALE	PLOT SCALE	SHEET 1 OF 1	
DRAWN ROSE MEDINA		DATE 01/10/2017		MATERIAL	
CHECKED		FILE HC7.9-06.pdf		DRAWING NOT TO SCALE	