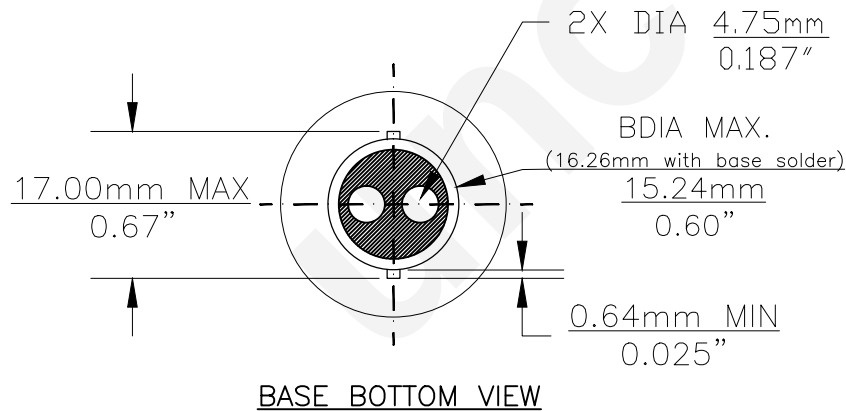
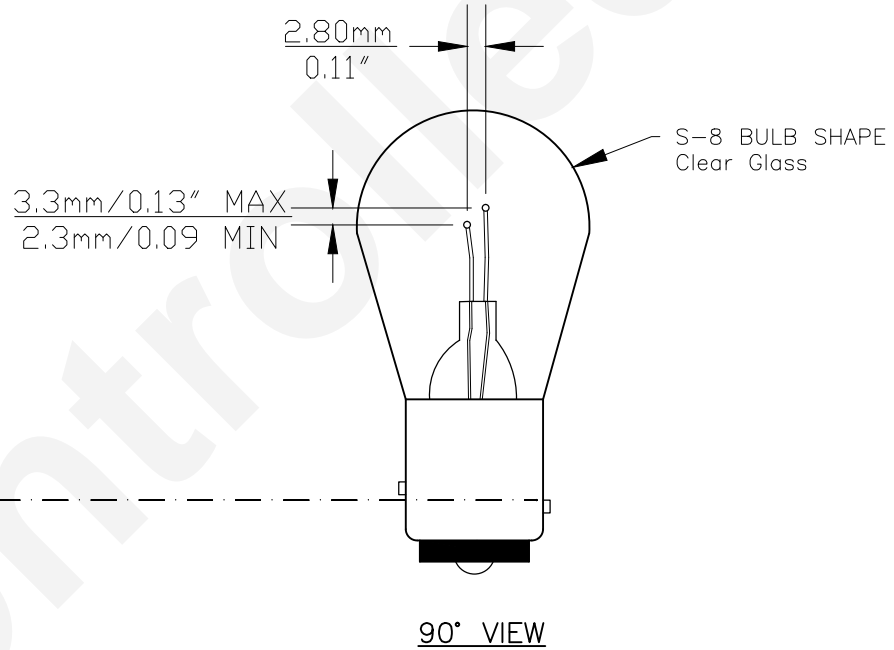
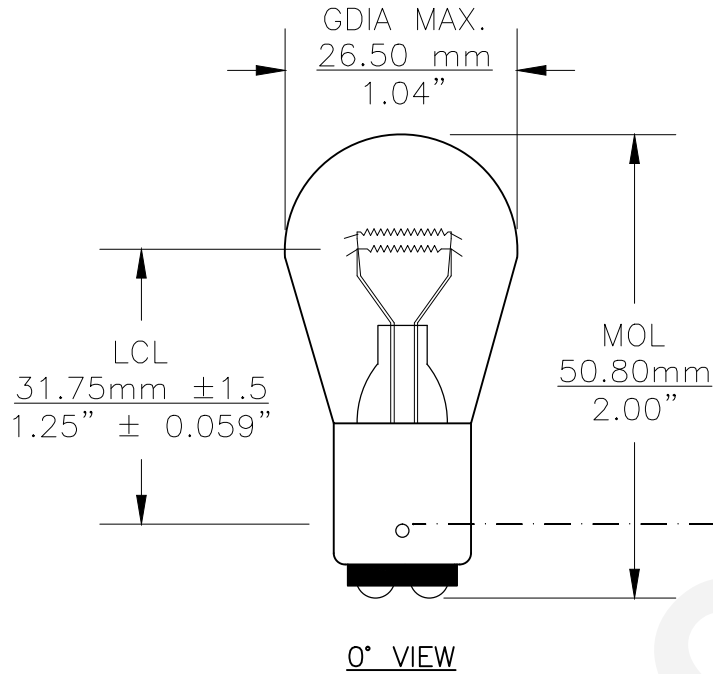




| PART NO. | BASE TYPE | DESIGN VOLTS | DESIGN AMPS | MSCD | FILAMENT TYPE | AVERAGE LIFE HOURS | REVISIONS | | | |
|----------|-------------------|----------------|-------------------|-----------------|---------------|--------------------|-----------|---|------------|----------|
| | | | | | | | REV # | DESCRIPTION | DATE | APPROVED |
| 1157 | D.C. INDEX BAY15d | 12.8V 14.0V | 2.1±5% 0.59±8% | 32±10% 3±12% | C-6 C-6 | 1200 5000 | 1 | REMOVED TOP VIEW, ADDED DIMENSIONS, EDITED LIFE HOURS | 02/15/2005 | D.C. |
| | | | | | | | 2 | UPDATED LIFE HOURS | 06/07/2005 | D.C. |
| | | | | | | | 3 | LEAD FREE | 06/04/2007 | D.C. |



Note: Made according to SAE specifications

| | | | | | |
|---|---------|---------------------------|----------|------------------------|--------------|
| UNLESS OTHERWISE SPECIFIED: DIMENSIONS ARE IN INCHES TOLERANCES | | CEC INDUSTRIES LTD | | | |
| DECIMALS | ANGULAR | 599 BOND STREET | | LINCOLNSHIRE, IL 60069 | |
| .XX ± .05 | ± 0.5° | TITLE LIGHT BULB NO. 1157 | | | |
| .XXX ± .010 | | SIZE A | FSCM NO. | DWG NO. 1157 | REV 3 |
| FRACTIONAL | ±1/64 | DESIGN | SCALE | PLOT SCALE | SHEET 1 OF 1 |
| DRAWN SIDNEY LIU | | DATE 06/12/2001 | | MATERIAL | |
| CHECKED | | FILE 1157.pdf | | DRAWING NOT TO SCALE | |