

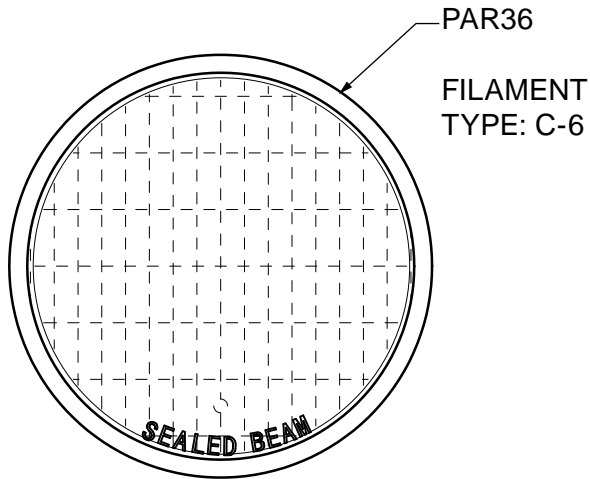


Since 1959

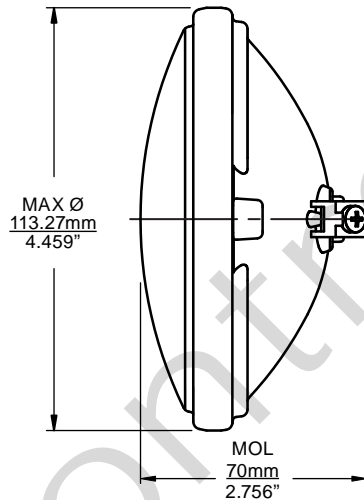
PART NO.	BASE TYPE	DESIGN VOLTS	DESIGN WATTS	APPROX. INITIAL MAX CP	BEAM SPREAD HOR. X VER. DEGREES	AVERAGE LIFE HOURS (AT 14V)
4411	MULTI-PURPOSE	12.8	35±3	3,000	TRAPEZOIDAL	300

REVISIONS			
REV #	DESCRIPTION	DATE	APPROVED
1	ISSUED	11/10/2016	RM
2	CONNECTOR DISTANCE DIMENSION CHANGED	01/19/2017	RM
3	REVISED BASE FROM 2-SCREW TERMINAL	11/18/2021	RM
4	REVISED BASE DIMMENSION & CP	01/29/2024	ML

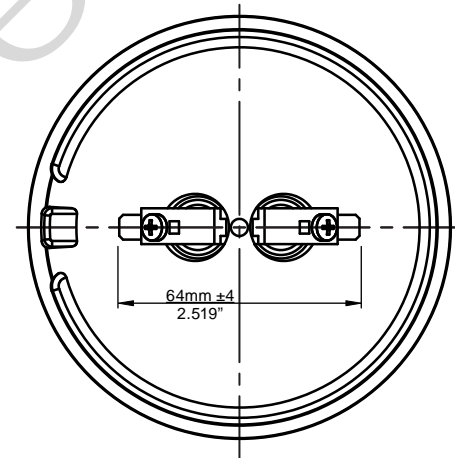
4411 12.8V 35W



0° VIEW



90° VIEW



180° VIEW



UNLESS OTHERWISE SPECIFIED: DIMENSIONS ARE IN INCHES TOLERANCES		CEC INDUSTRIES LTD	
DECIMALS	ANGULAR	599 BOND STREET LINCOLNSHIRE, IL 60069	
.XX ± .05	± 0.5°	TITLE SEAL BEAM 4411	
.XXX ± .010		SIZE	REV
FRACTIONAL	± 1/64	A	4
DRAWN	DATE	FSCM NO.	DWG NO.
ROSE MEDINA	11/10/2016		4411
CHECKED		SCALE	SHEET
			1 OF 1
DESIGN		PLOT SCALE	
MATERIAL		FILE	DRAWING NOT TO SCALE
		4411.pdf	