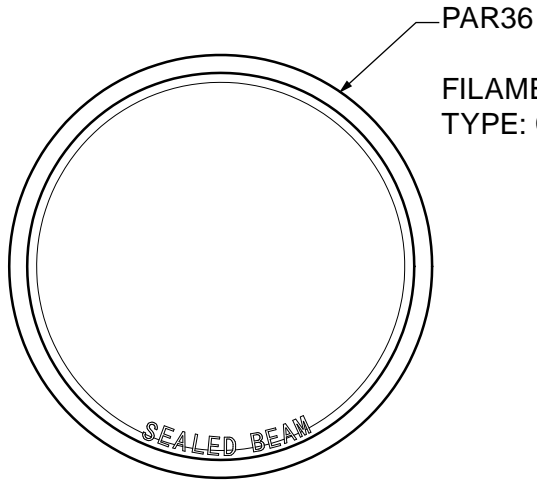




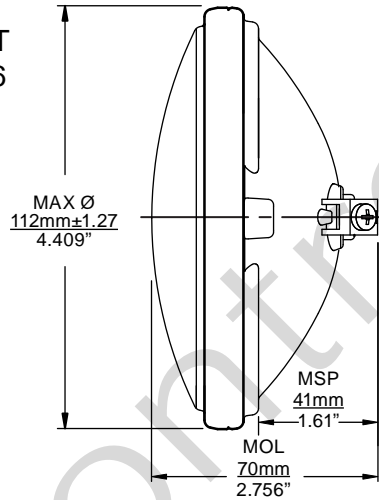
Since 1959

PART NO.	BASE TYPE	DESIGN VOLTS	DESIGN WATTS	APPROX. INITIAL MAX CP	BEAM SPREAD HOR. X VER. DEGREES	AVERAGE LIFE HOURS (AT 14V)	REVISIONS			
							REV #	DESCRIPTION	DATE	APPROVED
4509	MULTI-PURPOSE	13.0	100±10	≥60,000	11±4/8±4	≥25×70%	1	ISSUED	11/19/2021	RM

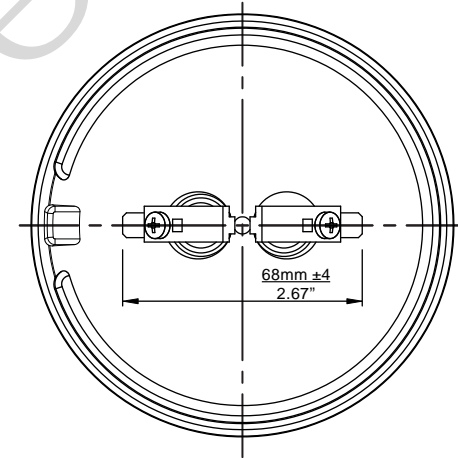
4509 13V 100W



0° VIEW



90° VIEW



180° VIEW



UNLESS OTHERWISE SPECIFIED: DIMENSIONS ARE IN INCHES TOLERANCES		CEC INDUSTRIES LTD			
DECIMALS	ANGULAR	599 BOND STREET		LINDOLNSHIRE, IL 60069	
.XX ± .05	± 0.5°				
.XXX ± .010					
FRACTIONAL	± 1/64				
DRAWN ROSE MEDINA	DATE 11/19/2021	TITLE SEAL BEAM 4509			
CHECKED		SIZE A	FSCM NO.	DWG NO. 4509	REV 1
DESIGN		SCALE	PLOT SCALE	SHEET 1 OF 1	
MATERIAL		FILE 4509.pdf	DRAWING NOT TO SCALE		