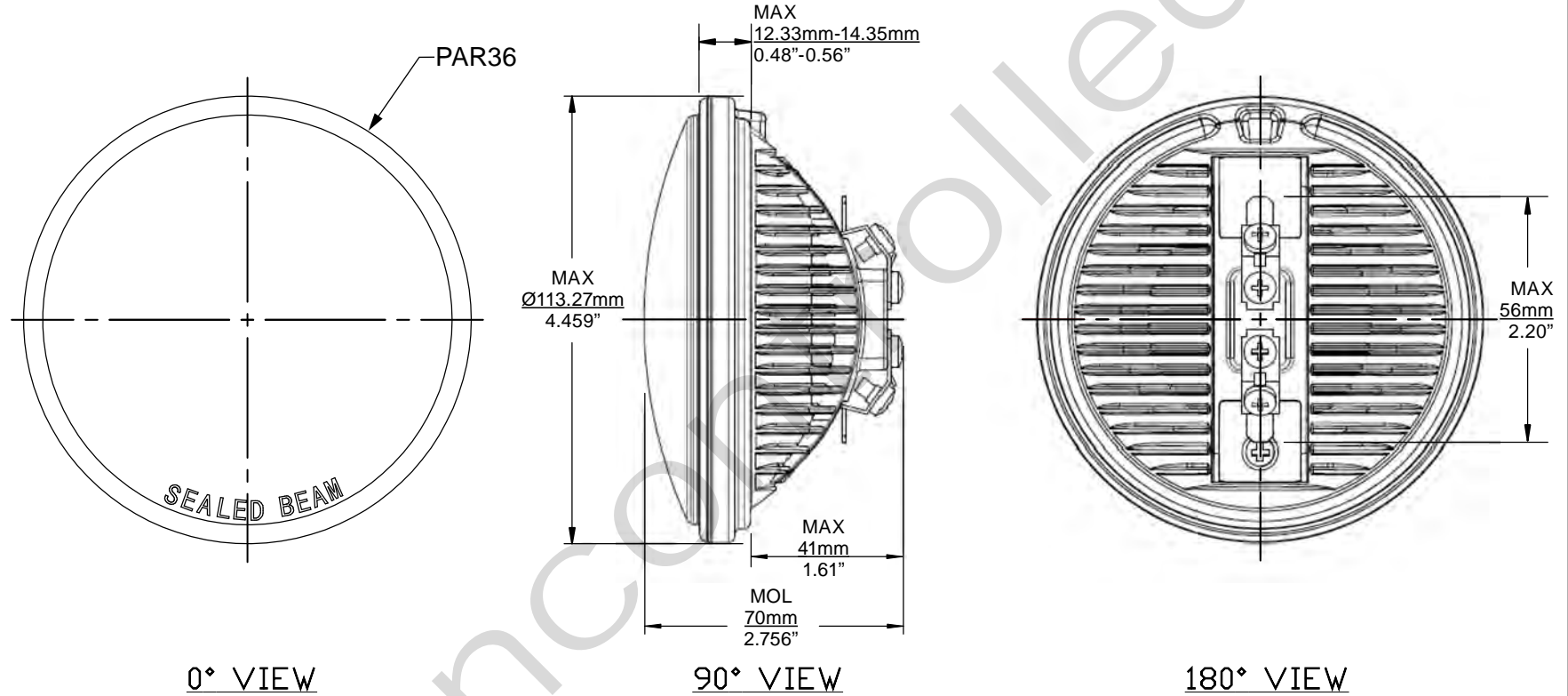




Since 1959

PART NO.	BASE TYPE	DESIGN VOLTS	DESIGN WATTS	MBCP (Cd)	BEAM SPREAD 10% HDR/VER DEGREES	AVERAGE LIFE HOURS	REVISIONS			
							REV #	DESCRIPTION	DATE	APPROVED
4515LED	MULTI PURPOSE	6.4V	10W MAX	55,000	5 X 5 ±3 DEGREES	6,000	1	ISSUED	11/10/2020	RM

4515LED 6.4V AC/DC 10W MAX 6500K±500



UNLESS OTHERWISE SPECIFIED: DIMENSIONS ARE IN INCHES TOLERANCES		CEC INDUSTRIES LTD	
DECIMALS	ANGULAR	599 BOND STREET LINCOLNSHIRE, IL 60069	
.XX ± .05	± 0.5°		
.XXX ± .010			
FRACTIONAL	± 1/64		
DRAWN ROSE MEDINA	DATE 11/10/2020	TITLE LED SEAL BEAM 4515LED	
CHECKED		SIZE A	REV 1
DESIGN		SCALE	SHEET 1 OF 1
MATERIAL		FILE 4515LED.pdf	DRAWING NOT TO SCALE