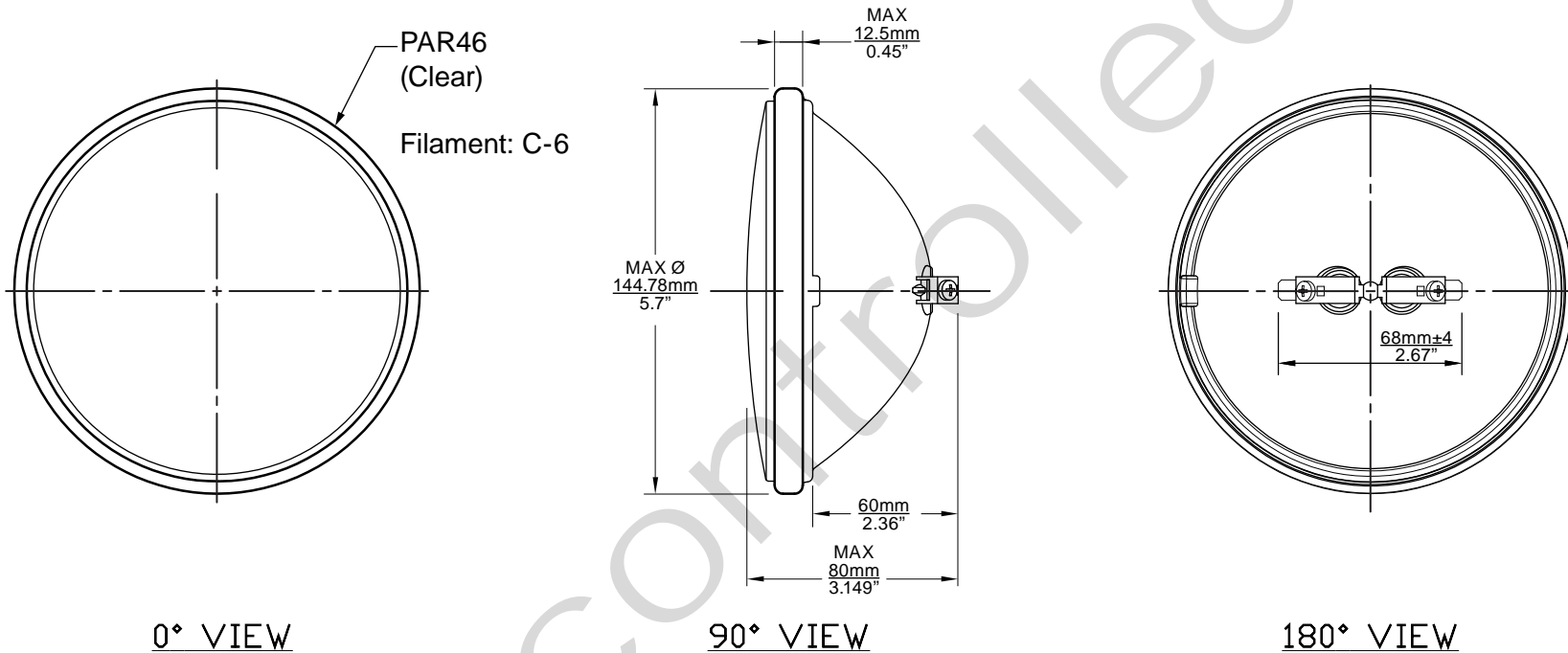




Since 1959

PART NO.	BASE TYPE	DESIGN VOLTS	DESIGN WATTS	APPROX. INITIAL MAX CP	SPREAD TO 10% HOR. X VER. DEGREES	AVERAGE LIFE HOURS (AT 14V)	REVISIONS			
							REV #	DESCRIPTION	DATE	APPROVED
4537	MULTI-PURPOSE	13.0	100±10	≥80,000	11±4/9±4	≥ 25×70%	1	ISSUED	11/19/2021	RM

4537 13V 100W



UNLESS OTHERWISE SPECIFIED: DIMENSIONS ARE IN INCHES TOLERANCES		CEC INDUSTRIES LTD	
DECIMALS	ANGULAR	599 BOND STREET	LINCOLNSHIRE, IL 60069
.XX ± .05	± 0.5°		
.XXX ± .010			
FRACTIONAL	± 1/64		
DRAWN ROSE MEDINA	DATE 11/19/2021	TITLE SEAL BEAM 4537	
CHECKED		SIZE A	FSCM NO. 4537
DESIGN		DWG NO. 4537	REV 1
MATERIAL		SCALE	PLOT SCALE
		SHEET 1	OF 1
		FILE 4537.pdf	DRAWING NOT TO SCALE