

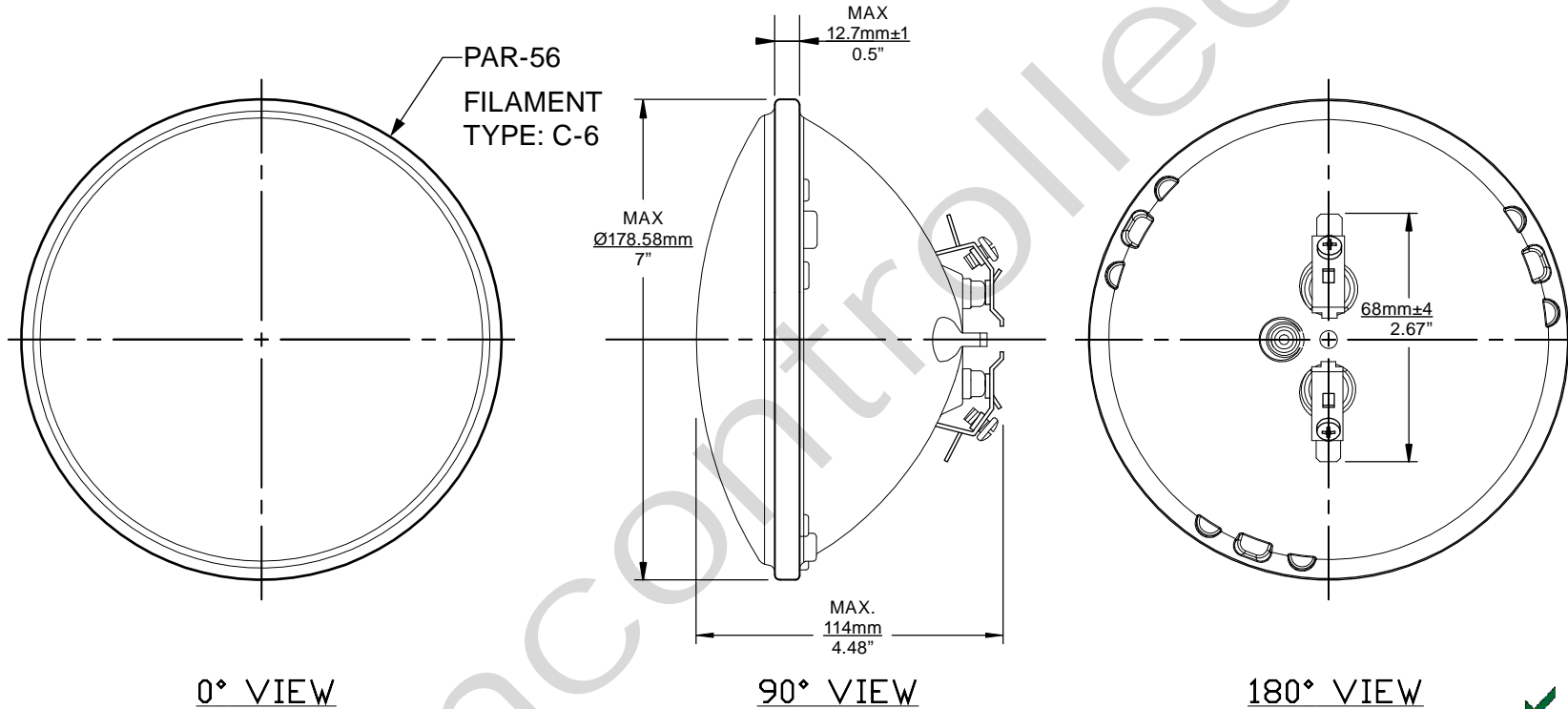


Since 1959

PART NO.	BASE TYPE	DESIGN VOLTS	DESIGN WATTS	APPROX. INITIAL MAX CP	SPREAD TO 10% HOR. X VER.	AVERAGE LIFE HOURS
4543	MULTI-PURPOSE	12.5	100	180,000	11±4/7±3	50

REVISIONS			
REV #	DESCRIPTION	DATE	APPROVED
1	ISSUED	02/26/2021	RM
2	REVISED BASE TYPE & MDL	11/18/2021	RM

4543 12.5V 100W



UNLESS OTHERWISE SPECIFIED: DIMENSIONS ARE IN INCHES TOLERANCES		CEC INDUSTRIES LTD	
DECIMALS	ANGULAR	599 BOND STREET LINCOLNSHIRE, IL 60069	
.XX ± .05	± 0.5°	TITLE SEAL BEAM 4543	
.XXX ± .010	± 1/64	SIZE	REV
FRACTIONAL		A	2
DRAWN ROSE MEDINA	DATE 02/26/2021	FSCM NO.	DWG NO.
CHECKED			4543
DESIGN	SCALE	PLOT SCALE	SHEET 1 OF 1
MATERIAL	FILE	DRAWING NOT TO SCALE	
	4543.pdf		