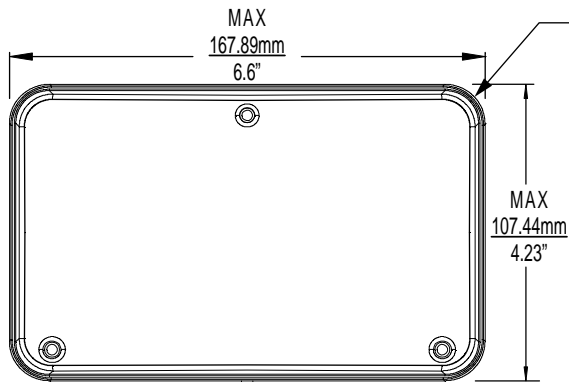




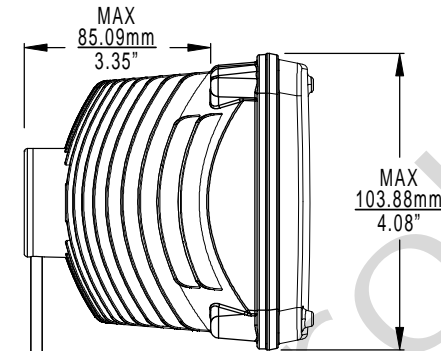
PART NO.	BASE TYPE	DESIGN VOLTS	DESIGN WATTS	AVERAGE LIFE HOURS (AT 14V)	REVISIONS			
					REV #	DESCRIPTION	DATE	APPROVED
4651LED	2 CONTACT LUGS	12.8V	22W MAX	6,000	1	ISSUED	11/10/2020	RM

4651LED 12.8V 22W MAX TYPE 1A1

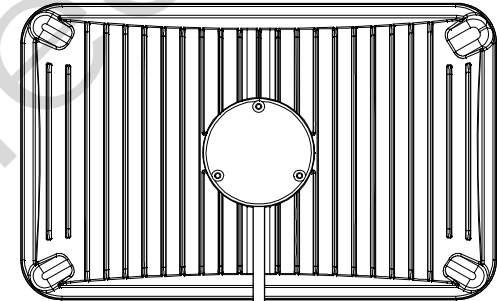


0° VIEW

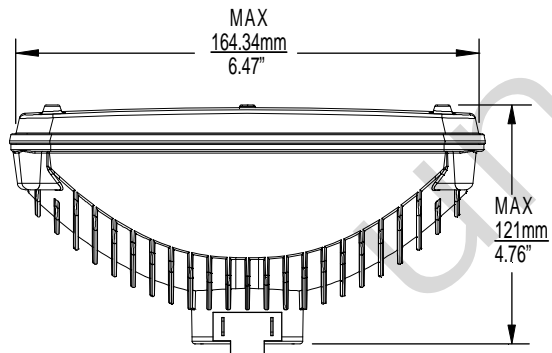
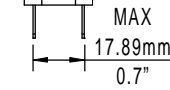
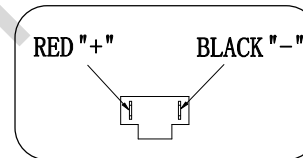
RECTANGULAR



90° VIEW



180° VIEW



BOTTOM VIEW

Note: Made according to SAE specifications

UNLESS OTHERWISE SPECIFIED: DIMENSIONS ARE IN INCHES TOLERANCES		CEC INDUSTRIES LTD			
DECIMALS	ANGULAR	599 BOND STREET		LINCOLNSHIRE, IL 60069	
.XX ± .05	± 0.5°				
.XXX ± .010					
FRACTIONAL	± 1/64				
DRAWN ROSE MEDINA	DATE 11/10/2020	TITLE LED SEAL BEAM 4651LED			
CHECKED		SIZE A	FSCM NO.	DWG NO. 4651LED	REV 1
DESIGN		SCALE	PLOT SCALE	SHEET 1 OF 1	
MATERIAL		FILE 4651LED.pdf	DRAWING NOT TO SCALE		