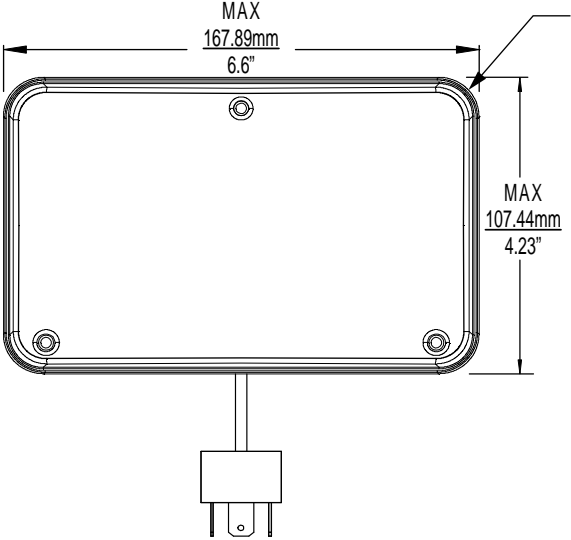


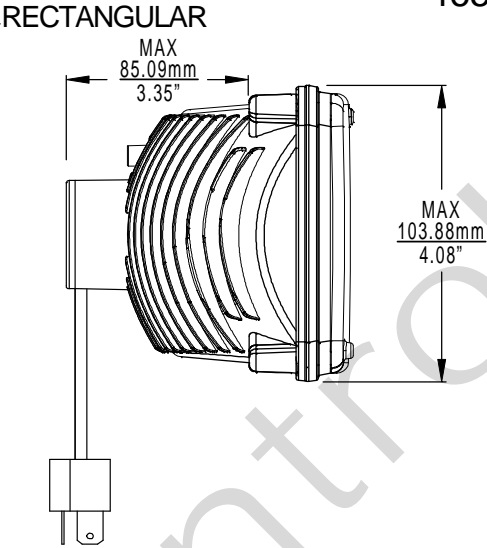


PART NO.	BASE TYPE	DESIGN VOLTS	DESIGN WATTS	AVERAGE LIFE HOURS (AT 14V)	REVISIONS			
					REV #	DESCRIPTION	DATE	APPROVED
4656LED	3 CONTACT LUGS	12.8V	12W/22W MAX	6,000	1	ISSUED	11/10/2020	RM

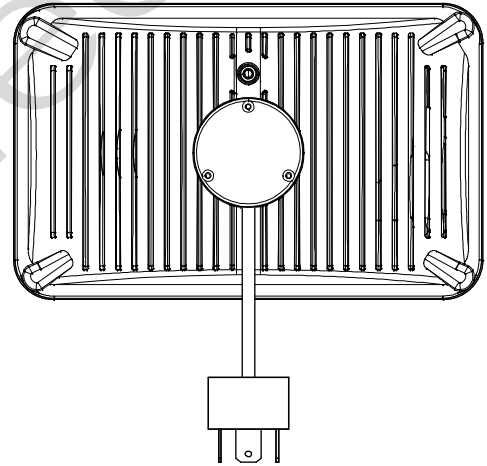
4656LED 12.8V 12W/22W MAX TYPE 2A1



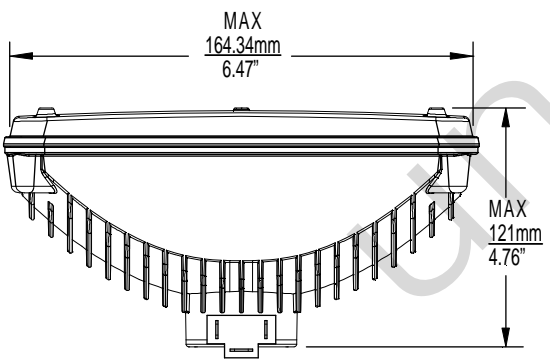
0° VIEW



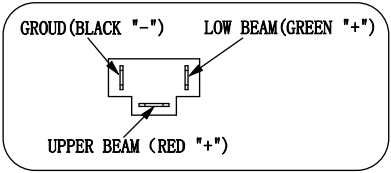
90° VIEW



180° VIEW



BOTTOM VIEW



Note: Made according to SAE specifications

UNLESS OTHERWISE SPECIFIED: DIMENSIONS ARE IN INCHES TOLERANCES		CEC INDUSTRIES LTD			
DECIMALS .XX ± .05 ANGULAR ± 0.5°		599 BOND STREET		LINCOLNSHIRE, IL 60069	
CHECKED .XXX ± .010 FRACTIONAL ± 1/64		TITLE LED SEAL BEAM 4656LED			
DRAWN ROSE MEDINA	DATE 11/10/2020	SIZE A	FSCM NO.	DWG NO. 4656LED	REV 1
DESIGN	SCALE	PLOT SCALE	SHEET 1 OF 1		
MATERIAL	FILE 4656LED.pdf	DRAWING NOT TO SCALE			