



PART NO.

4666LED

BASE TYPE
3 CONTACT LUGS

DESIGN VOLTS
12.8V

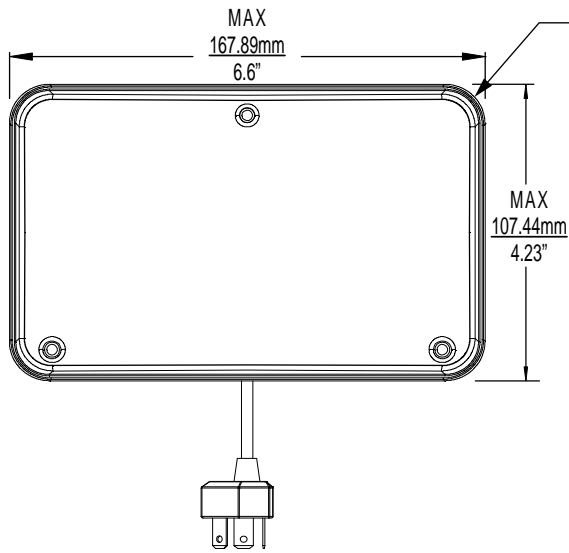
DESIGN WATTS
22W/12W MAX

AVERAGE LIFE HOURS (AT 14V)
6,000

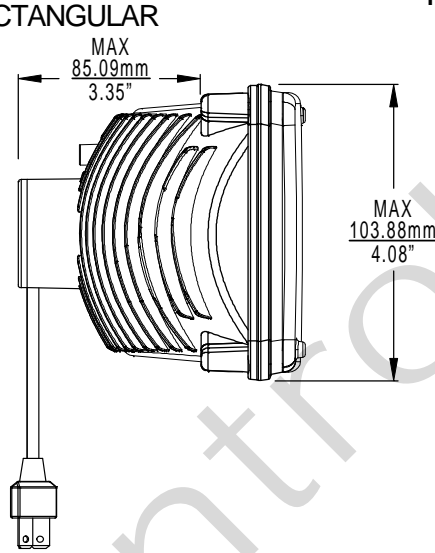
REVISIONS

REV #	DESCRIPTION	DATE	APPROVED
1	ISSUED	11/11/2020	RM

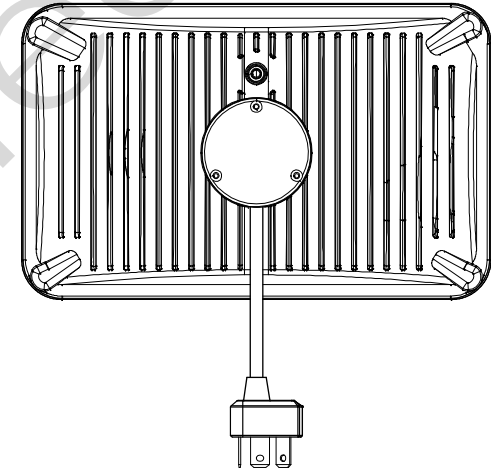
4666LED 12.8V 22/12W MAX TYPE 2E1



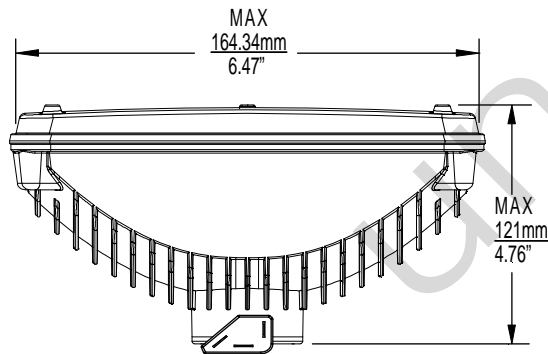
0° VIEW



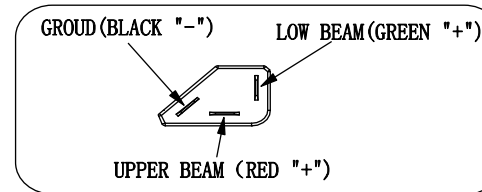
90° VIEW



180° VIEW



BOTTOM VIEW



Note: Made according to SAE specifications

UNLESS OTHERWISE SPECIFIED: DIMENSIONS ARE IN INCHES TOLERANCES		CEC INDUSTRIES LTD	
DECIMALS	ANGULAR	599 BOND STREET	LINCOLNSHIRE, IL 60069
.XX ± .05	± 0.5°		
.XXX ± .010			
FRACTIONAL	± 1/64		
DRAWN ROSE MEDINA	DATE 11/11/2020	TITLE LED SEAL BEAM 4666LED	
CHECKED		SIZE A	FSCM NO. DWG NO. 4666LED REV 1
DESIGN		SCALE	PLOT SCALE SHEET 1 OF 1
MATERIAL		FILE 4666LED.pdf	DRAWING NOT TO SCALE