

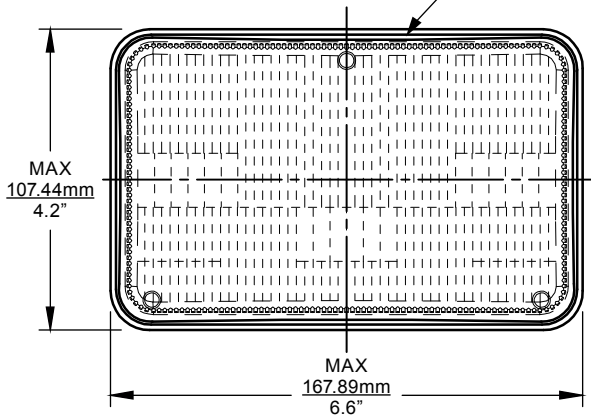


Since 1959

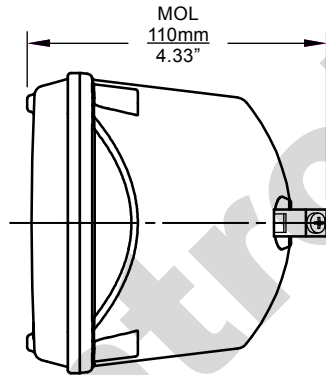
PART NO.	BASE TYPE	DESIGN VOLTS	DESIGN WATTS	APPROX. INITIAL MAX CP	BEAM SPREAD HOR. X VER. DEGREES	AVERAGE LIFE HOURS (AT 14V)	REVISIONS			
							REV #	DESCRIPTION	DATE	APPROVED
4912-1	2 SLIP-ON TERMINALS	12.8	35	11,000	40 X 5	200	1	ISSUED	01/20/2017	RM
							2	REVISED WATTS AND CANDLEPOWER	01/03/2018	RM

4912-1 12.8V 35W

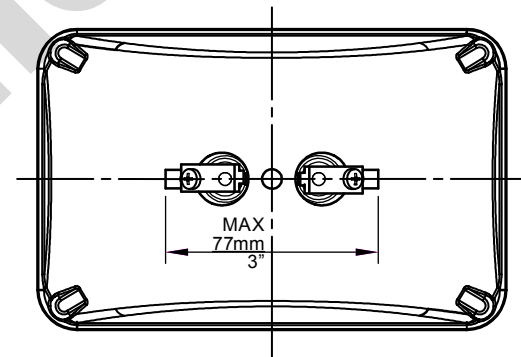
RECTANGULAR
FILAMENT
TYPE: C-6



0° VIEW



90° VIEW



180° VIEW

UNLESS OTHERWISE SPECIFIED: DIMENSIONS ARE IN INCHES TOLERANCES		CEC INDUSTRIES LTD			
DECIMALS	ANGULAR	599 BOND STREET		LINCOLNSHIRE, IL 60069	
.XX ± .05	± 0.5°				
.XXX ± .010					
FRACTIONAL	± 1/64				
DRAWN ROSE MEDINA	DATE 01/20/2017	TITLE SEAL BEAM 4912-1			
CHECKED		SIZE A	FSCM NO.	DWG NO. 4912-1	REV 2
DESIGN		SCALE	PLOT SCALE	SHEET 1 OF 1	
MATERIAL		FILE 4912-1.pdf	DRAWING NOT TO SCALE		