

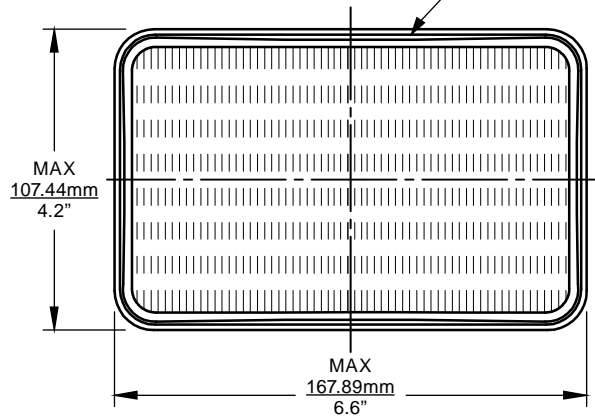


Since 1959

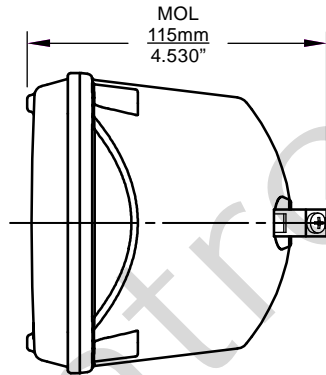
PART NO.	BASE TYPE	DESIGN VOLTS	DESIGN WATTS	APPROX. INITIAL MAX CP	BEAM SPREAD HOR. X VER. DEGREES	AVERAGE LIFE HOURS (AT 14V)	REVISIONS			
							REV #	DESCRIPTION	DATE	APPROVED
4913-1	2 SLIP-ON TERMINALS	12.8	50	1,350	80 X 20	400	1	ISSUED	01/20/2017	RM

4913-1 12.8V 50W

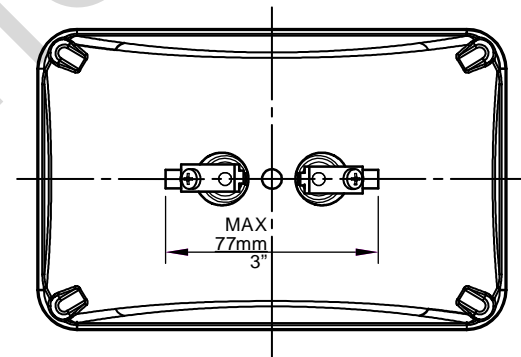
RECTANGULAR  
FILAMENT  
TYPE: C-6



0° VIEW



90° VIEW



180° VIEW

UNLESS OTHERWISE SPECIFIED: DIMENSIONS ARE IN INCHES TOLERANCES		CEC INDUSTRIES LTD			
DECIMALS .XX ± .05 ANGULAR ± 0.5°		599 BOND STREET		LINCOLNSHIRE, IL 60069	
CHECKED .XXX ± .010 FRACTIONAL ± 1/64		TITLE SEAL BEAM 4913-1			
DRAWN ROSE MEDINA	DATE 01/20/2017	SIZE A	FSCM NO.	DWG NO. 4913-1	REV 1
DESIGN	SCALE	PLOT SCALE	SHEET 1 OF 1		
MATERIAL	FILE 4913-1.pdf	DRAWING NOT TO SCALE			