

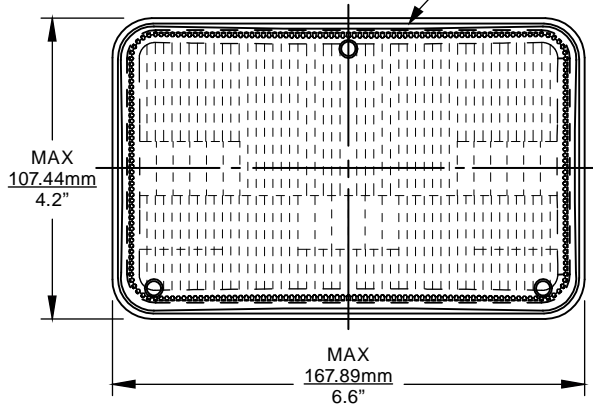


Since 1959

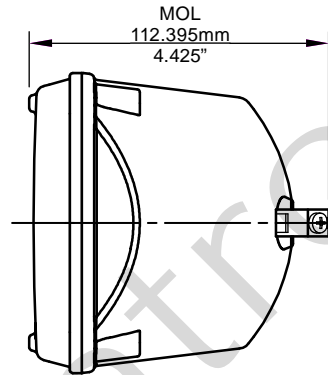
PART NO.	BASE TYPE	DESIGN VOLTS	DESIGN WATTS	APPROX. INITIAL MAX CP	BEAM SPREAD HOR. X VER. DEGREES	AVERAGE LIFE HOURS (AT 14V)	REVISIONS			
							REV #	DESCRIPTION	DATE	APPROVED
4921-1	MULTI-PURPOSE	13	65	17,000	40 X 5	200	1	ISSUED	10/05/2016	RM
							2	REVISED VOLTS AND WATTS	08/20/2018	RM

4921-1 13V 65W

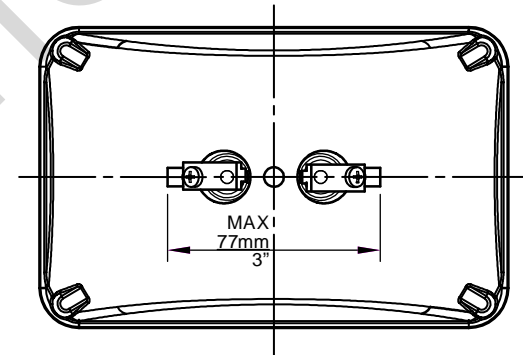
RECTANGULAR
FILAMENT
TYPE: C-6



0° VIEW



90° VIEW



180° VIEW

UNLESS OTHERWISE SPECIFIED: DIMENSIONS ARE IN INCHES TOLERANCES				CEC INDUSTRIES LTD			
DECIMALS		ANGULAR		599 BOND STREET		LINCOLNSHIRE, IL 60069	
.XX ± .05		± 0.5°					
.XXX ± .010							
FRACTIONAL		± 1/64					
DRAWN	DATE	TITLE					
ROSE MEDINA	10/05/2016	SEAL BEAM 4921-1					
CHECKED		SIZE	FSCM NO.	DWG NO.	REV		
		A		4921-1	2		
DESIGN		SCALE	PLOT SCALE	SHEET	1	OF	1
MATERIAL		FILE	4921-1.pdf	DRAWING NOT TO SCALE			