



Since 1959

PART NO.

6024LED

BASE TYPE

3 LUGS CONTACT TYPE

DESIGN VOLTS

12.8V

MAXIMUM WATTS

24W/12W MAX

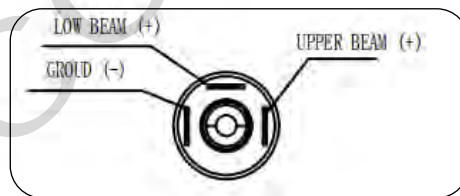
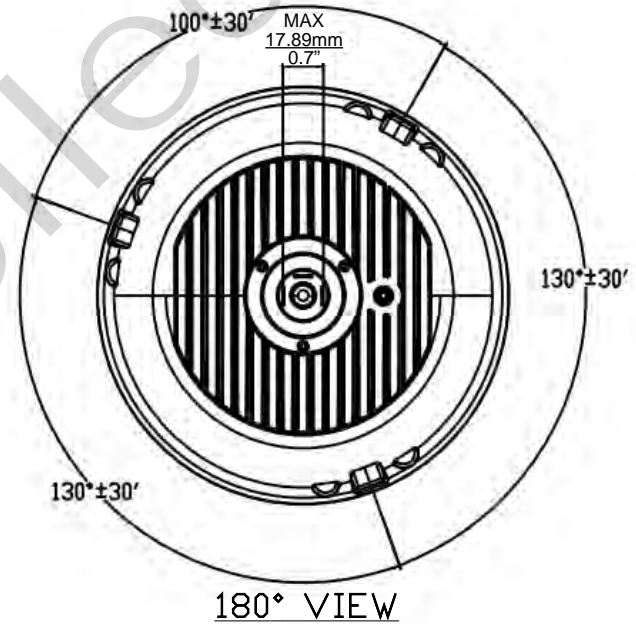
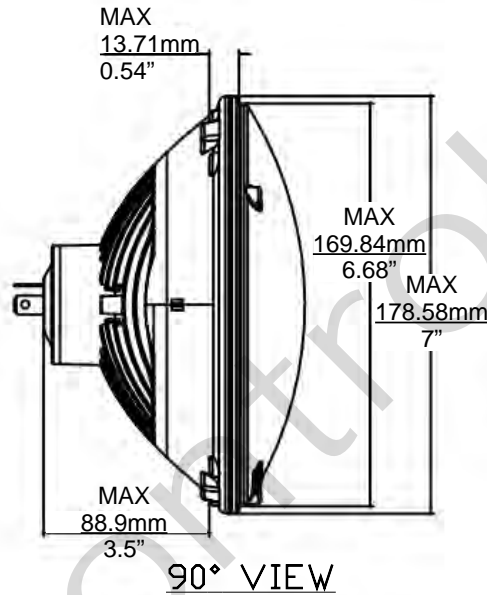
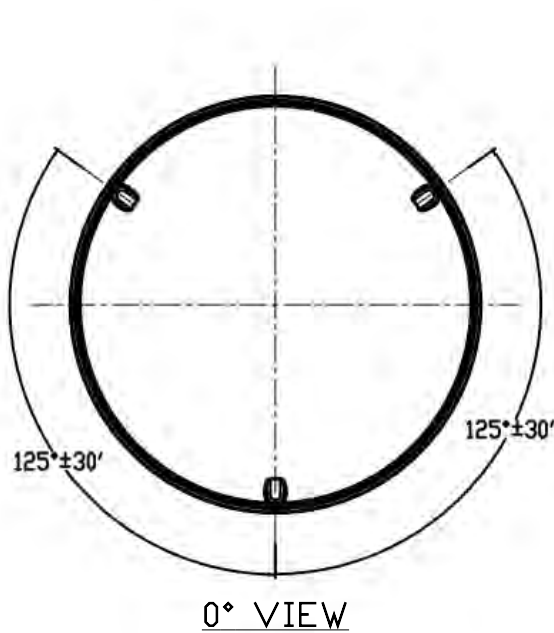
AVERAGE LIFE HOURS (AT 14V)

6,000

REVISIONS

REV #	DESCRIPTION	DATE	APPROVED
1	ISSUED	11/11/2020	RM

6024LED 12.8V 24W/12W MAX TYPE 2D1



Note: Made according to SAE specifications



UNLESS OTHERWISE SPECIFIED: DIMENSIONS ARE IN INCHES TOLERANCES		DECIMALS		ANGULAR	
.XX ± .05		± 0.5°			
.XXX ± .010					
FRACTIONAL		± 1/64			
DRAWN ROSE MEDINA		DATE 11/11/2020		TITLE SEAL BEAM 6024LED	
CHECKED		SIZE A	FSCM NO.	DWG NO. 6024LED	REV 1
DESIGN		SCALE	PLOT SCALE	SHEET 1	OF 1
MATERIAL		FILE 6024LED.pdf	DRAWING NOT TO SCALE		

CEC INDUSTRIES LTD

599 BOND STREET

LINCOLNSHIRE, IL 60069