



Since 1959

PART NO.

6054LED

BASE TYPE

3 CONTACT LUGS

DESIGN VOLTS

12.8V

MAXIMUM WATTS

24W/12W MAX

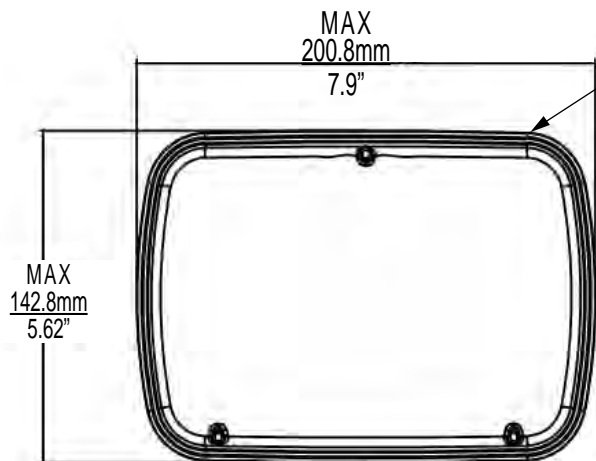
AVERAGE LIFE HOURS (AT 14V)

6,000

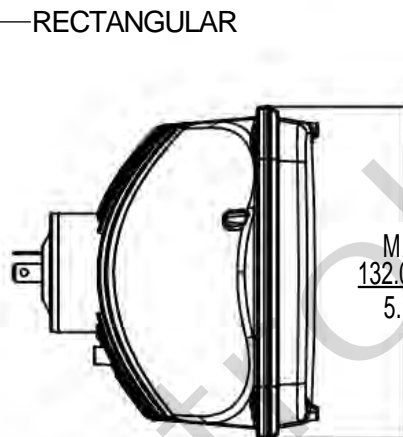
REVISIONS

REV #	DESCRIPTION	DATE	APPROVED
1	ISSUED	11/11/2020	RM
			RM

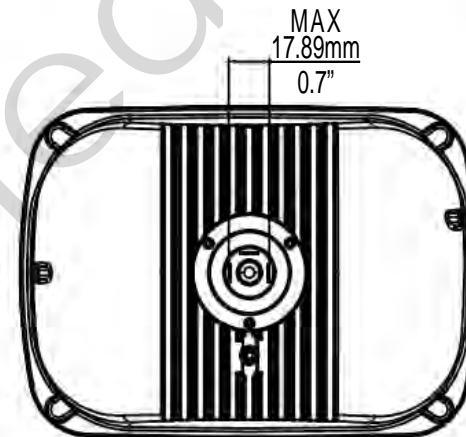
6054LED 12.8V 24/12W MAX TYPE 2B1



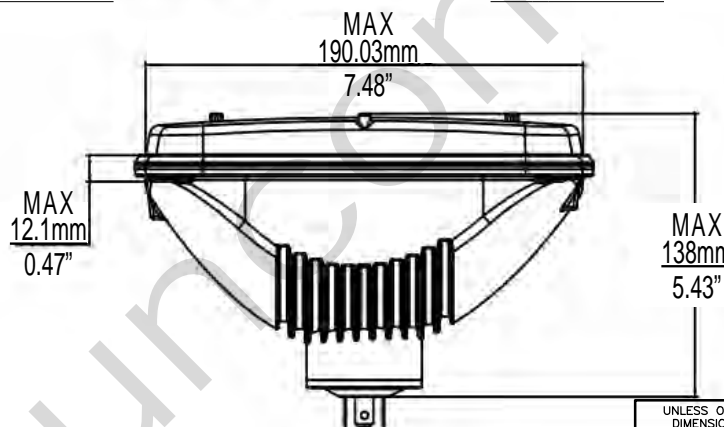
0° VIEW



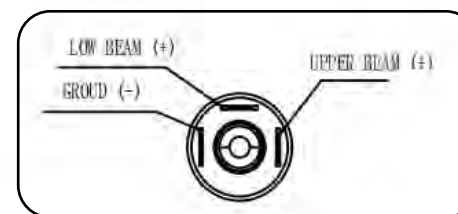
90° VIEW



180° VIEW



BOTTOM VIEW



Note: Made according to SAE specifications

UNLESS OTHERWISE SPECIFIED:
DIMENSIONS ARE IN INCHES
TOLERANCES
DECIMALS ANGULAR
.XX ± .05 ± 0.5°
.XXX ± .010
FRACTIONAL ±1/64

DRAWN ROSE MEDINA DATE 11/11/2020

CHECKED

DESIGN

MATERIAL

CEC INDUSTRIES LTD

599 BOND STREET LINCOLNSHIRE, IL 60069

TITLE SEAL BEAM 6054LED

SIZE A FSCM NO. DWG NO. 6054LED REV 1

SCALE PLOT SCALE SHEET 1 OF 1

FILE 6054LED.pdf DRAWING NOT TO SCALE