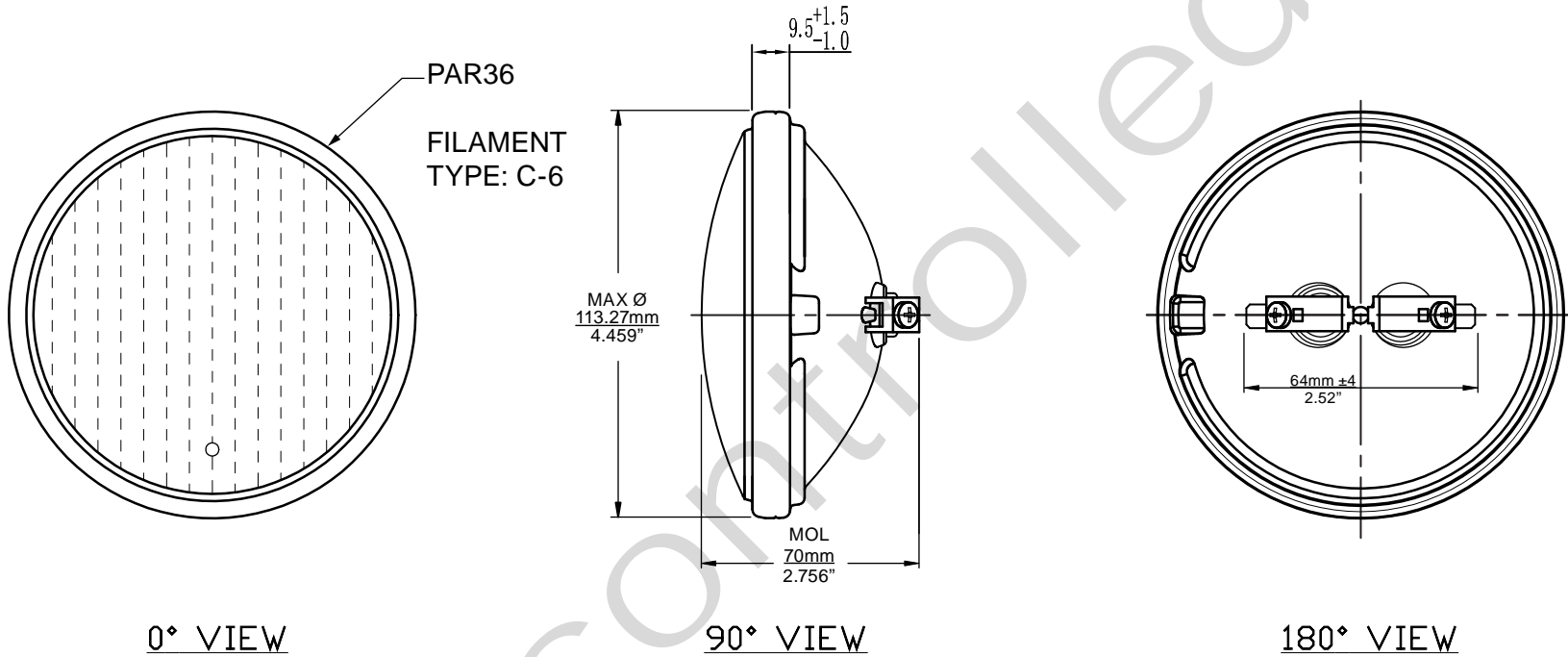




Since 1959

PART NO.	BASE TYPE	DESIGN VOLTS	DESIGN WATTS	APPROX. INITIAL MAX CP	BEAM SPREAD TO 10% HOR. X VER.	AVERAGE LIFE HOURS (AT 14V)	REVISIONS			
							REV #	DESCRIPTION	DATE	APPROVED
7400	MULTI-PURPOSE	12.8	35±3	20,000	12±4/6±3	300	1	ISSUED	08/26/2022	M.L.

7400 12.8V 35W



UNLESS OTHERWISE SPECIFIED: DIMENSIONS ARE IN INCHES TOLERANCES		CEC INDUSTRIES LTD			
DECIMALS .XX ± .05		ANGULAR ± 0.5°		599 BOND STREET	
FRACTIONAL .XXX ± .010		±1/64		LINDOLNSHIRE, IL 60069	
DRAWN ROSE MEDINA	DATE 08/26/2022	TITLE SEAL BEAM 7400			
CHECKED		SIZE A	FSCM NO.	DWG NO. 7400	REV 1
DESIGN		SCALE	PLOT SCALE	SHEET 1 OF 1	
MATERIAL		FILE 7400.pdf	DRAWING NOT TO SCALE		