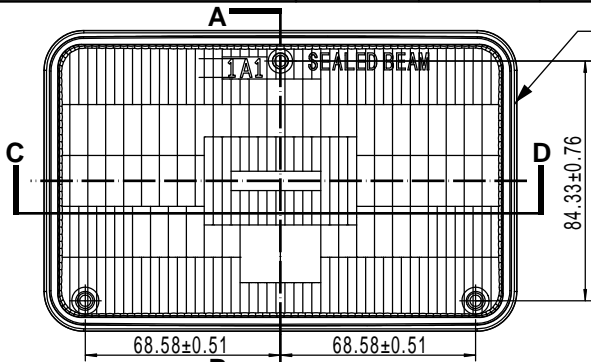




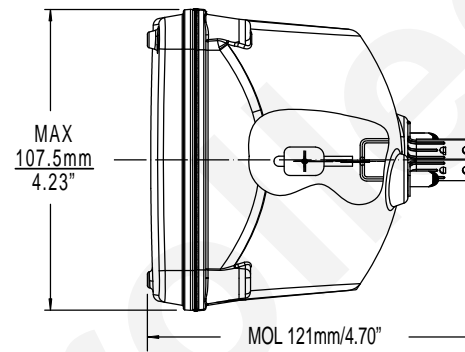
Since 1959

PART NO.	BASE TYPE	DESIGN VOLTS	DESIGN WATTS	APPROX. INITIAL MAX CP	BEAM SPREAD HOR. X VER. DEGREES	AVERAGE LIFE HOURS (AT 14V)	REVISIONS			
							REV #	DESCRIPTION	DATE	APPROVED
H4651	2 CONTACT LUGS	12.8	50	45,000	26 X 5	200	1	ISSUED	10/05/2016	RM



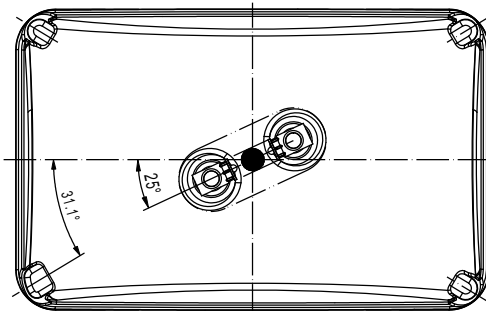
0° VIEW

RECTANGULAR FILAMENT TYPE: C-6

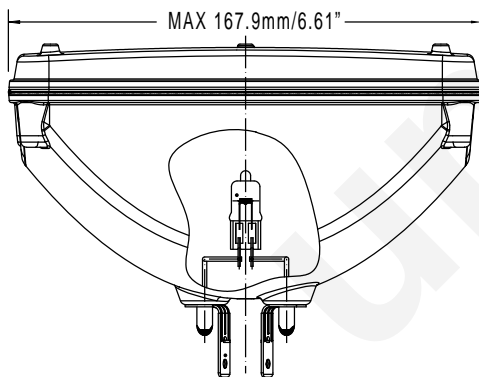


SECTION A - B

H4651 12.8V 50W



180° VIEW



SECTION C - D

Note: Made according to SAE specifications

UNLESS OTHERWISE SPECIFIED: DIMENSIONS ARE IN INCHES TOLERANCES		CEC INDUSTRIES LTD			
DECIMALS	ANGULAR	599 BOND STREET		LINCOLNSHIRE, IL 60069	
.XX ± .05	± 0.5°				
.XXX ± .010					
FRACTIONAL	± 1/64				
DRAWN ROSE MEDINA	DATE 10/05/2016	TITLE SEAL BEAM H4651			
CHECKED	SIZE A	FSCM NO.	DWG NO. H4651	REV 1	
DESIGN	SCALE	PLOT SCALE	SHEET 1 OF 1		
MATERIAL	FILE H4651.pdf	DRAWING NOT TO SCALE			