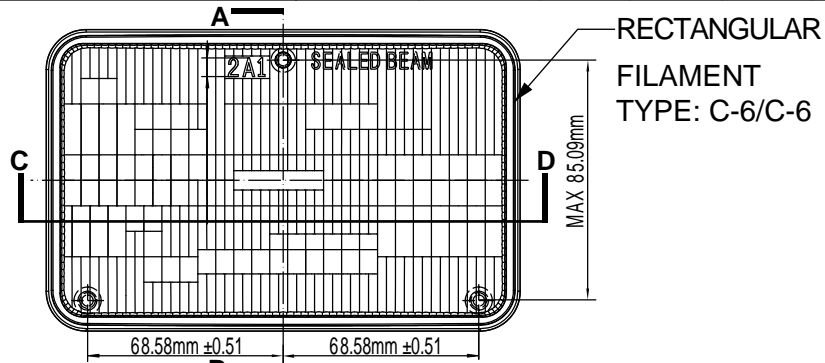


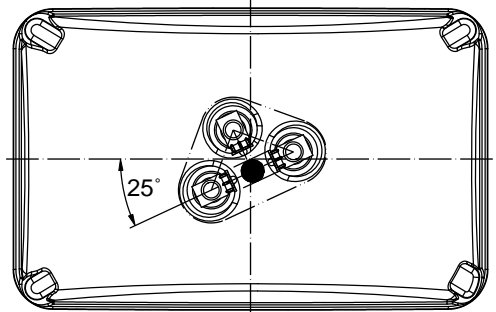


Since 1959

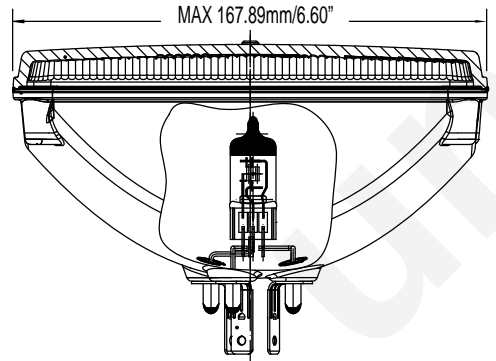
PART NO.	BASE TYPE	DESIGN VOLTS	DESIGN WATTS	APPROX. INITIAL MAX CP	BEAM SPREAD HOR. X VER. DEGREES	AVERAGE LIFE HOURS (AT 14V)	REVISIONS			
							REV #	DESCRIPTION	DATE	APPROVED
H4656	3 CONTACT LUGS	12.8	35	15,000	35 x 7	200	1	ISSUED	11/10/2016	RM
		12.8	35	25,000	35 x 7	450				



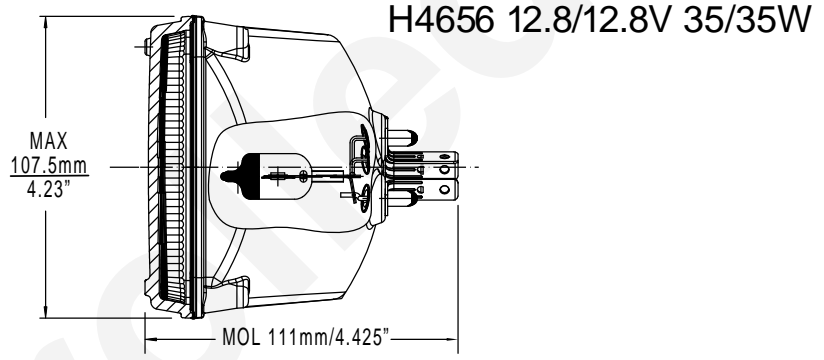
0° VIEW



180° VIEW



SECTION C - D



SECTION A - B

H4656 12.8/12.8V 35/35W

Note: Made according to SAE specifications

UNLESS OTHERWISE SPECIFIED: DIMENSIONS ARE IN INCHES TOLERANCES		CEC INDUSTRIES LTD			
DECIMALS .XX ± .05 .XXX ± .010 FRACTIONAL ± 1/64		599 BOND STREET		LINCOLNSHIRE, IL 60069	
DRAWN ROSE MEDINA	DATE 11/10/2016	TITLE SEAL BEAM H4656			
CHECKED		SIZE A	FSCM NO.	DWG NO. H4656	REV 1
DESIGN		SCALE	PLOT SCALE	SHEET 1 OF 1	
MATERIAL		FILE H4656.pdf	DRAWING NOT TO SCALE		