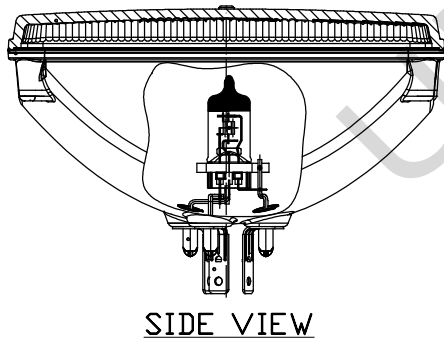
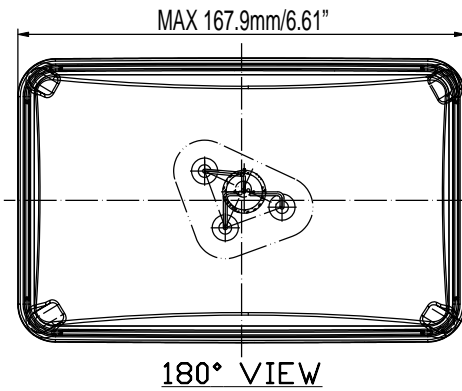
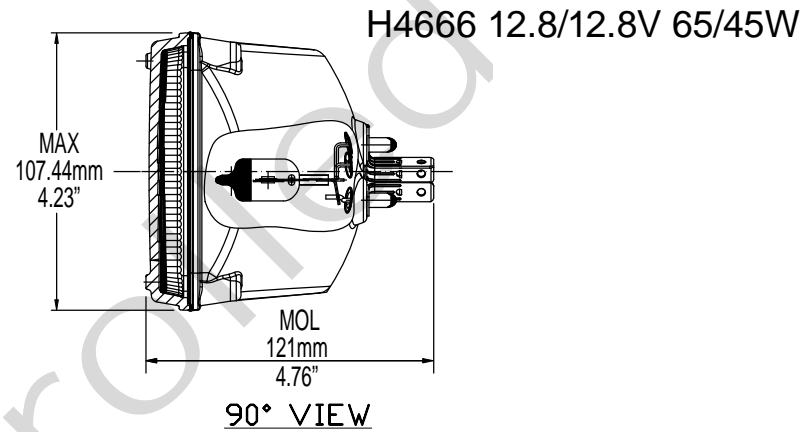
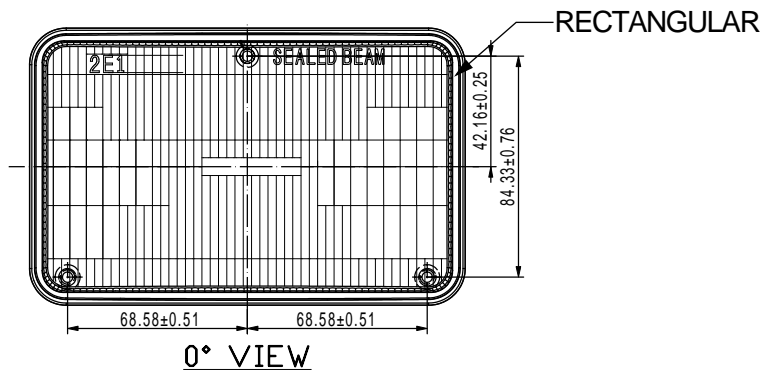




Since 1959

PART NO.	BASE TYPE	DESIGN VOLTS	DESIGN WATTS	APPROX. INITIAL MAX CP	BEAM SPREAD HOR. X VER. DEGREES	AVERAGE LIFE HOURS (AT 14V)	REVISIONS			
							REV #	DESCRIPTION	DATE	APPROVED
H4666	3 CONTACT LUGS	12.8/12.8	65/45	35,000/25,000	35 X 7 35 X 7	150/320	1	ISSUED	10/05/2016	RM
							2	REVISED HRS. AND BASE DRAWING	05/11/2023	ML



Note: Made according to SAE specifications

UNLESS OTHERWISE SPECIFIED: DIMENSIONS ARE IN INCHES TOLERANCES		CEC INDUSTRIES LTD			
DECIMALS .XX ± .05		ANGULAR ± 0.5°		599 BOND STREET LINCOLNSHIRE, IL 60069	
FRACTIONAL .XXX ± .010		±1/64		TITLE SEAL BEAM H4666	
DRAWN ROSE MEDINA	DATE 10/05/2016	SIZE A	FSCM NO.	DWG NO. H4666	REV 2
CHECKED		SCALE	PLOT SCALE	SHEET 1 OF 1	
MATERIAL	FILE H4666.pdf	DRAWING NOT TO SCALE			