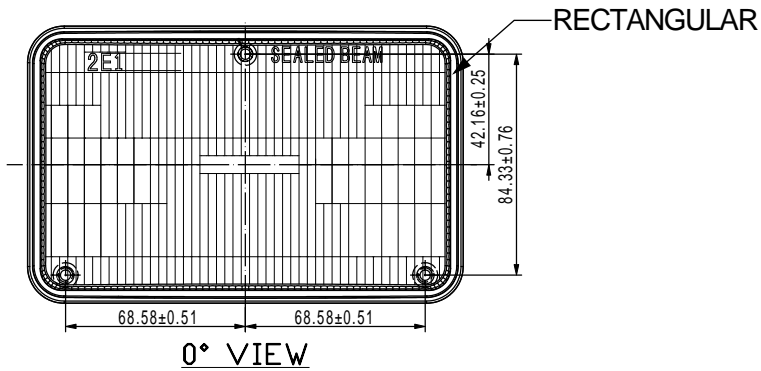


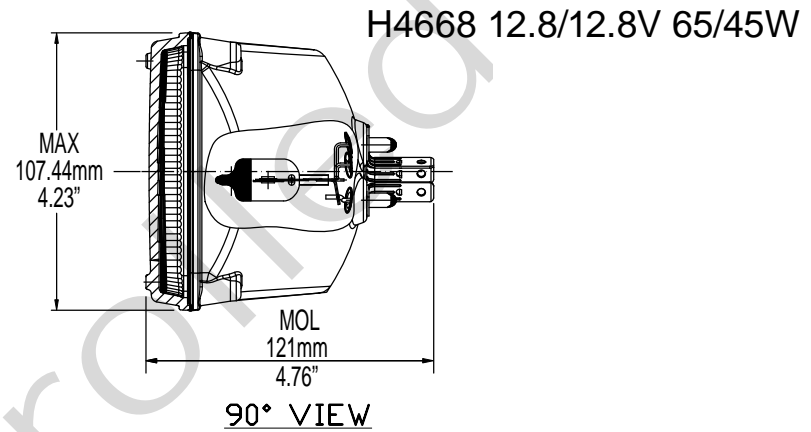


Since 1959

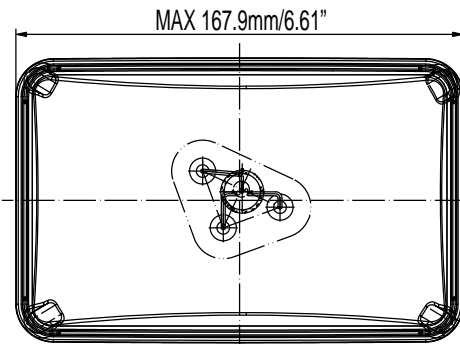
PART NO.	BASE TYPE	DESIGN VOLTS	DESIGN WATTS	APPROX. INITIAL MAX CP	BEAM SPREAD HOR. X VER. DEGREES	AVERAGE LIFE HOURS (AT 14V)	REVISIONS			
							REV #	DESCRIPTION	DATE	APPROVED
H4668	3 CONTACT LUGS	12.8/12.8	65/45	35,000/25,000	35 X 7/35 X 7	150/320	1	ISSUED	08/09/2022	M.L.
							2	REVISED HRS. AND BASE DRAWING	05/11/2023	M.L.



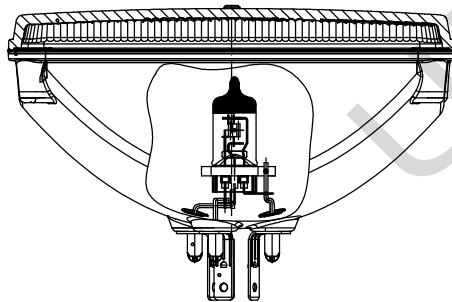
0° VIEW



90° VIEW



180° VIEW



SIDE VIEW

Note: Made according to SAE specifications

UNLESS OTHERWISE SPECIFIED: DIMENSIONS ARE IN INCHES TOLERANCES		CEC INDUSTRIES LTD			
DECIMALS .XX ± .05		ANGULAR ± 0.5°		599 BOND STREET LINCOLNSHIRE, IL 60069	
FRACTIONAL .XXX ± .010		±1/64			
DRAWN ROSE MEDINA	DATE 08/09/2022	TITLE SEAL BEAM H4668			
CHECKED		SIZE A	FSCM NO.	DWG NO. H4668	REV 2
DESIGN		SCALE	PLOT SCALE	SHEET 1 OF 1	
MATERIAL		FILE H4668.pdf	DRAWING NOT TO SCALE		