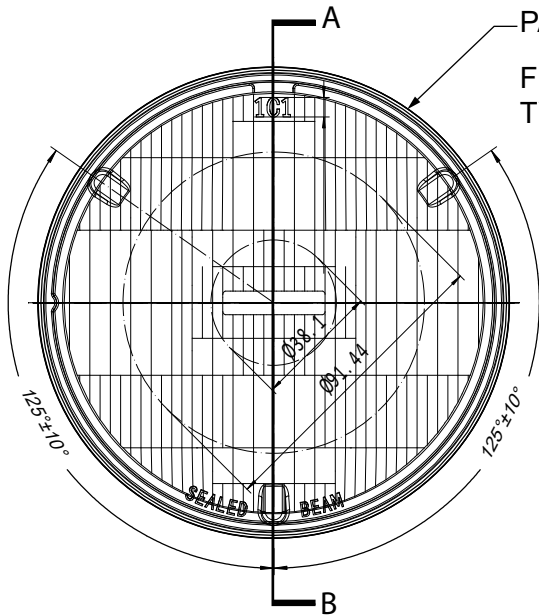




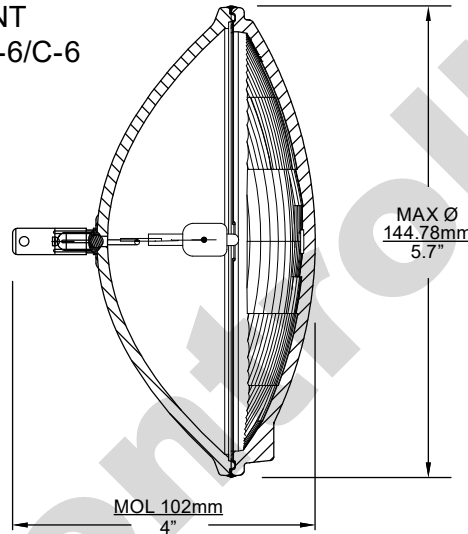
Since 1959

PART NO.	BASE TYPE	DESIGN VOLTS	MAXIMUM WATTS	AVERAGE LIFE HOURS (AT 14V)	REVISIONS			
					REV #	DESCRIPTION	DATE	APPROVED
H5001	2 LUGS CONTACT TYPE	12.8V	50W	>200	1	ISSUED	09/27/2023	M.L.

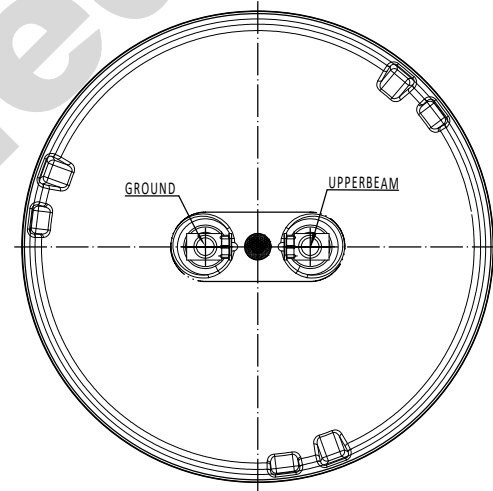
H5001 12.8V 50W



0° VIEW



A-B SECTION



180° VIEW

Note: Made according to SAE specifications



UNLESS OTHERWISE SPECIFIED: DIMENSIONS ARE IN INCHES TOLERANCES		CEC INDUSTRIES LTD			
DECIMALS	ANGULAR	599 BOND STREET		LINCOLNSHIRE, IL 60069	
.XX ± .05	± 0.5°				
.XXX ± .010					
FRACTIONAL	± 1/64				
DRAWN ROSE MEDINA	DATE 09/27/2023	TITLE SEAL BEAM H5001			
CHECKED		SIZE A	FSCM NO.	DWG NO. H5001	REV 1
DESIGN		SCALE	PLOT SCALE	SHEET 1 OF 1	
MATERIAL		FILE H5001.pdf	DRAWING NOT TO SCALE		