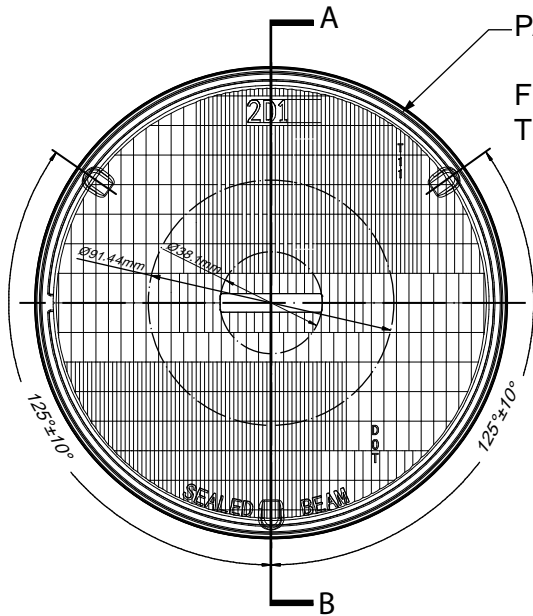




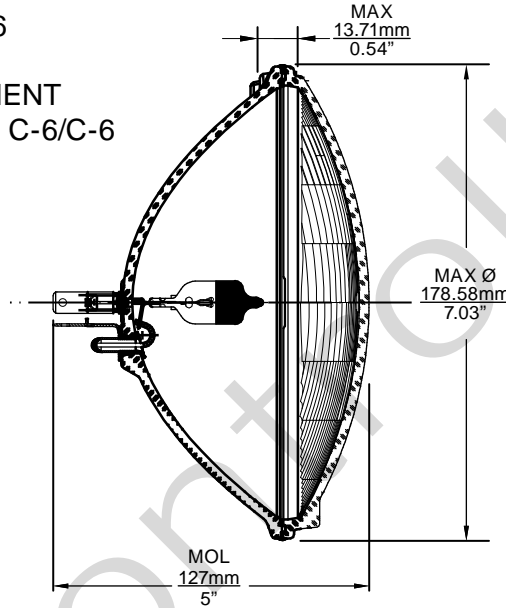
Since 1959

PART NO.	BASE TYPE	DESIGN VOLTS	MAXIMUM WATTS	APPROX. INITIAL MAX CP	BEAM SPREAD HOR. X VER. DEGREES	AVERAGE LIFE HOURS (AT 14V)	REVISIONS			
							REV #	DESCRIPTION	DATE	APPROVED
H6024	3 LUGS CONTACT TYPE	12.8V	65W MAX. 55W MAX.	32,000 25,000	34 X 7 34 X 7	>150 >320	1	ISSUED	04/14/2017	RM
							2	REVISED LIFE HRS/WATTS/0° VIEW	07/01/2020	RM

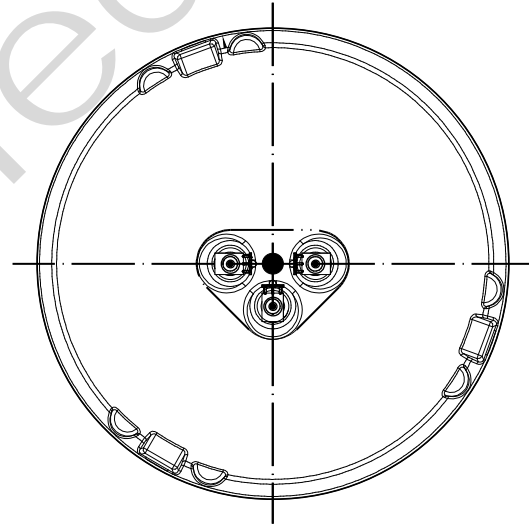
H6024 12.8V 60/35W



0° VIEW



A-B SECTION



180° VIEW

Note: Made according to SAE specifications



UNLESS OTHERWISE SPECIFIED: DIMENSIONS ARE IN INCHES TOLERANCES		CEC INDUSTRIES LTD			
DECIMALS	ANGULAR	599 BOND STREET		LINCOLNSHIRE, IL 60069	
.XX ± .05	± 0.5°				
.XXX ± .010					
FRACTIONAL	± 1/64				
DRAWN ROSE MEDINA	DATE 04/14/2017	TITLE SEAL BEAM H6024			
CHECKED		SIZE A	FSCM NO.	DWG NO. H6024	REV 2
DESIGN		SCALE	PLOT SCALE	SHEET 1 OF 1	
MATERIAL		FILE H6024.pdf	DRAWING NOT TO SCALE		