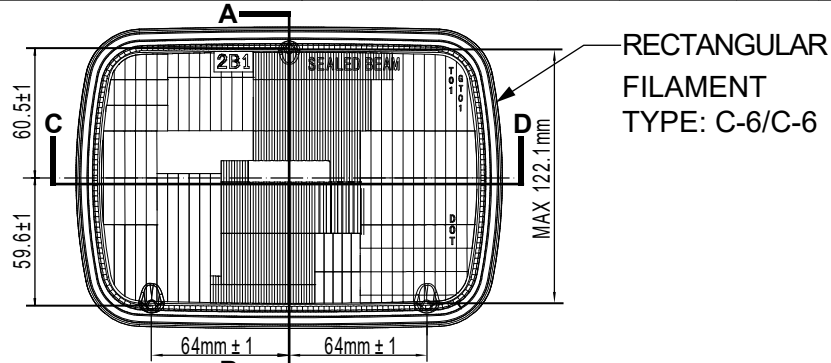


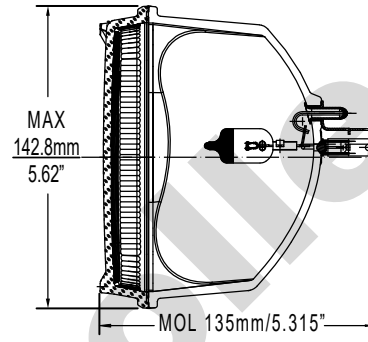


Since 1959

PART NO.	BASE TYPE	DESIGN VOLTS	MAXIMUM WATTS	APPROX. INITIAL MAX CP	BEAM SPREAD HOR. X VER. DEGREES	AVERAGE LIFE HOURS (AT 14V)	REVISIONS			
							REV #	DESCRIPTION	DATE	APPROVED
H6054	3 CONTACT LUGS	12.8V 12.8V	70W MAX. 60W MAX.	40,000 35,000	35 x 7 35 x 7	>150 >320	1	ISSUED	11/10/2016	RM
							2	REVISED LIFE HRS/WATTS/0° VIEW	07/01/2020	RM

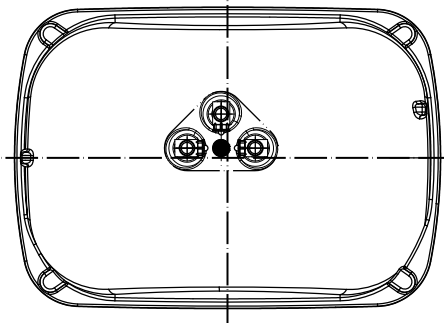


0° VIEW

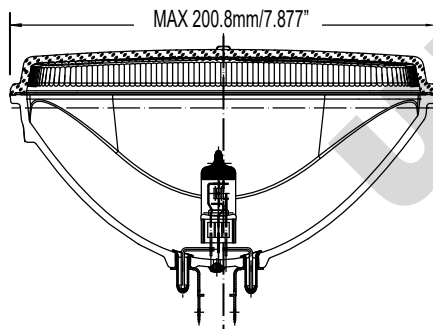


SECTION A - B

H6054 12.8V 65/35W



180° VIEW



SECTION C - D

Note: Made according to SAE specifications

UNLESS OTHERWISE SPECIFIED: DIMENSIONS ARE IN INCHES TOLERANCES		CEC INDUSTRIES LTD			
DECIMALS	ANGULAR	599 BOND STREET		LINCOLNSHIRE, IL 60069	
.XX ± .05	± 0.5°				
.XXX ± .010					
FRACTIONAL	± 1/64				
DRAWN ROSE MEDINA	DATE 11/10/2016	TITLE SEAL BEAM H6054			
CHECKED		SIZE A	FSCM NO.	DWG NO. H6054	REV 2
DESIGN		SCALE	PLOT SCALE	SHEET 1 OF 1	
MATERIAL		FILE H6054.pdf	DRAWING NOT TO SCALE		