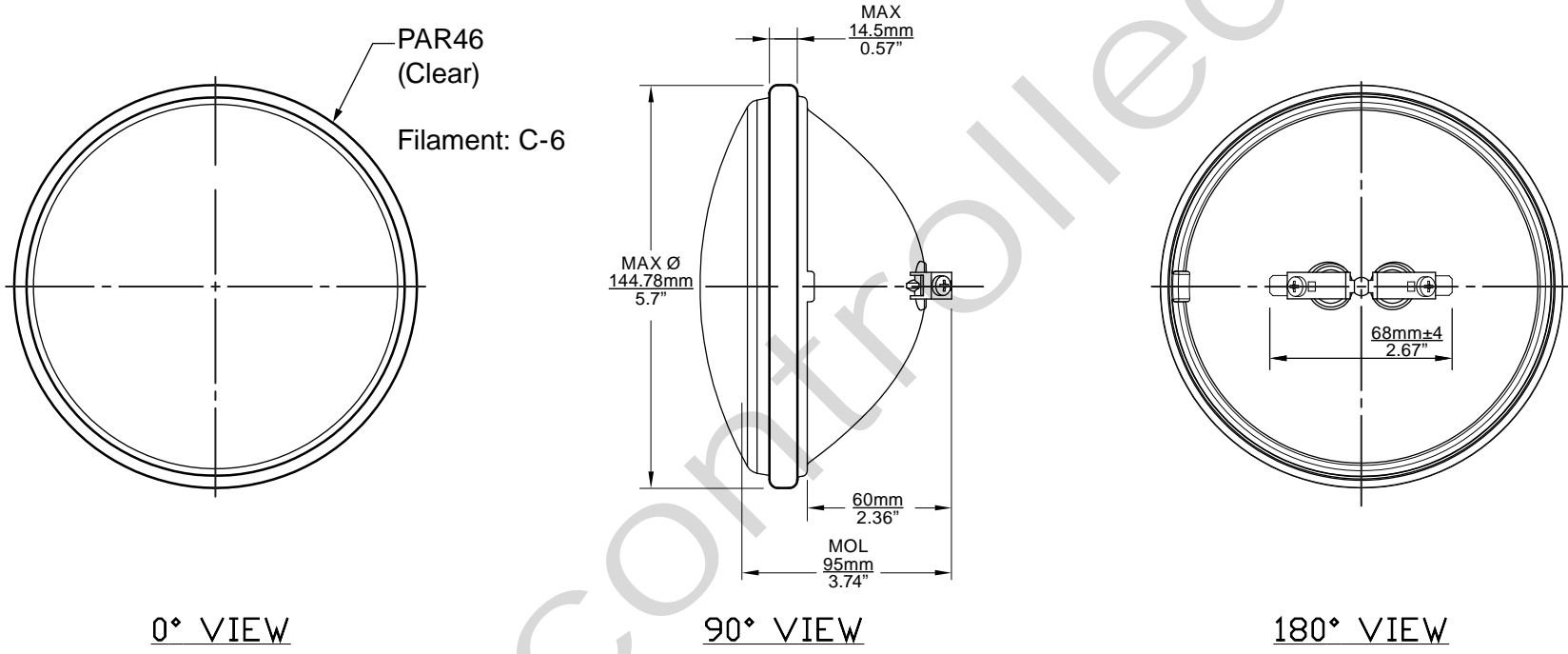




Since 1959

| PART NO. | BASE TYPE | DESIGN VOLTS | DESIGN WATTS | APPROX. INITIAL MAX CP | SPREAD TO 10% HOR. X VER. DEGREES | AVERAGE LIFE HOURS (AT 12.8V) | REVISIONS | | | |
|----------|-------------|--------------|--------------|------------------------|-----------------------------------|-------------------------------|-----------|-------------|------------|----------|
| | | | | | | | REV # | DESCRIPTION | DATE | APPROVED |
| H7635 | COMBINATION | 12.8V | 50±5 | 160,000 | 7±4/5±4 | 100 HRS | 1 | ISSUED | 09/26/2023 | RM |
| | | | | | | | | | | |

H7635 12.8V 50W



Note: Made according to SAE specifications



| | | | | | |
|---|--------------------|--------------------------|----------------------|------------------------|----------|
| UNLESS OTHERWISE SPECIFIED: DIMENSIONS ARE IN INCHES TOLERANCES | | CEC INDUSTRIES LTD | | | |
| DECIMALS | ANGULAR | 599 BOND STREET | | LINDOLNSHIRE, IL 60069 | |
| .XX ± .05 | ± 0.5° | | | | |
| .XXX ± .010 | | | | | |
| FRACTIONAL | ± 1/64 | | | | |
| DRAWN ROSE MEDINA | DATE 09/26/2023 | TITLE SEAL BEAM H7635 | | | |
| CHECKED | | SIZE A | FSCM NO. | DWG NO. H7635 | REV 1 |
| DESIGN | | SCALE | PLOT SCALE | SHEET 1 OF 1 | |
| MATERIAL | | FILE H7635.pdf | DRAWING NOT TO SCALE | | |