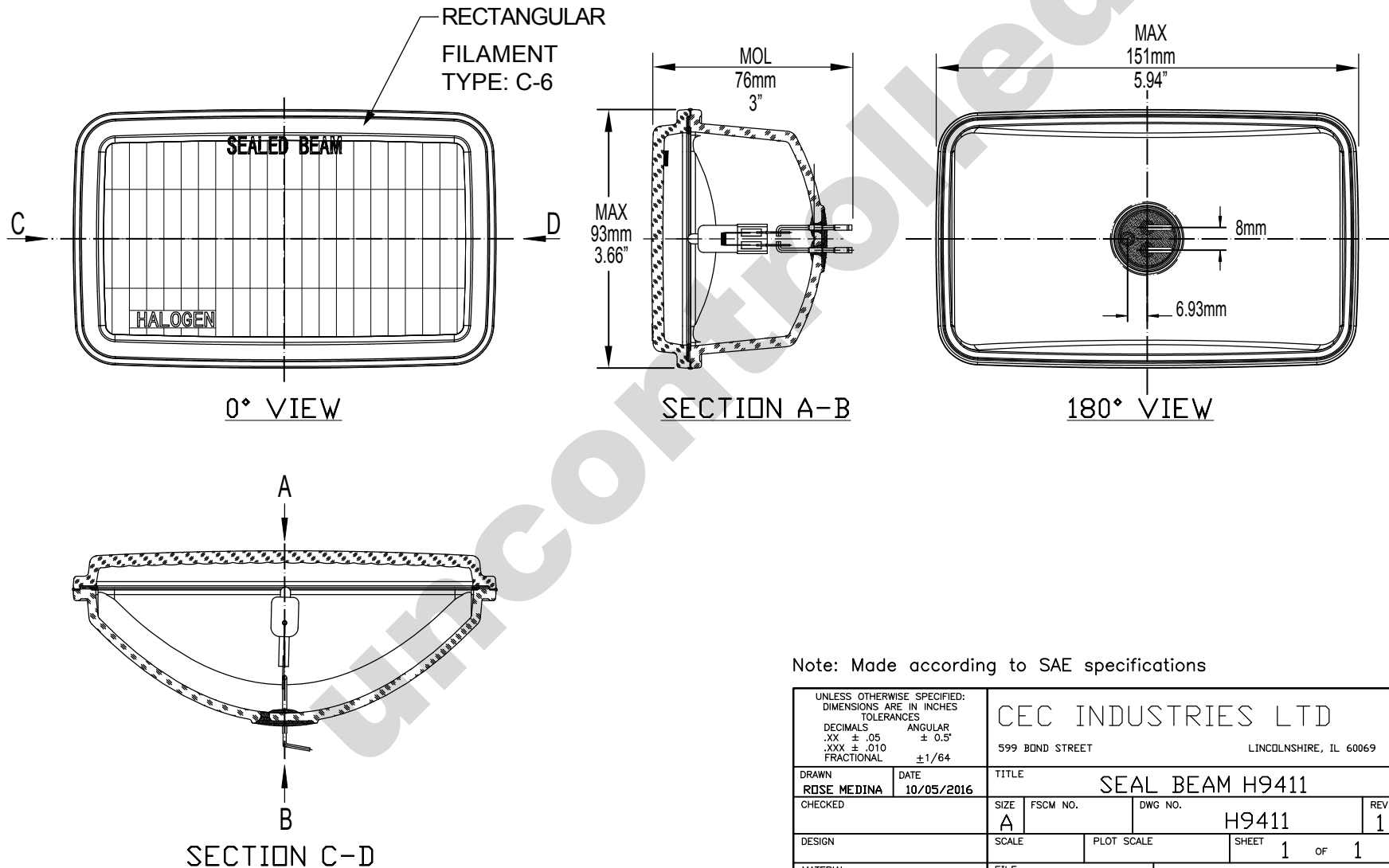




Since 1959

PART NO.	BASE TYPE	DESIGN VOLTS	DESIGN WATTS	APPROX. INITIAL MAX CP	BEAM SPREAD HOR. X VER. DEGREES	AVERAGE LIFE HOURS	REVISIONS			
							REV #	DESCRIPTION	DATE	APPROVED
H9411	2 LUGS RT. ANGLE	12.8	50	5,400	TRAPEZOIDAL	400	1	ISSUED	10/05/2016	RM

H9411 12.8V 50W



Note: Made according to SAE specifications

UNLESS OTHERWISE SPECIFIED: DIMENSIONS ARE IN INCHES TOLERANCES		CEC INDUSTRIES LTD	
DECIMALS .XX ± .05	ANGULAR ± 0.5°	599 BOND STREET	LINCOLNSHIRE, IL 60069
.XXX ± .010	FRACTIONAL ± 1/64	TITLE SEAL BEAM H9411	
DRAWN ROSE MEDINA	DATE 10/05/2016	SIZE A	FSCM NO. H9411
CHECKED		DWG NO.	REV 1
DESIGN	SCALE	PLOT SCALE	SHEET 1 OF 1
MATERIAL	FILE H9411.pdf	DRAWING NOT TO SCALE	