

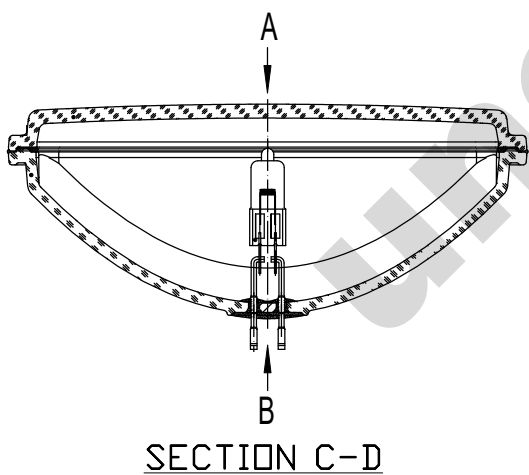
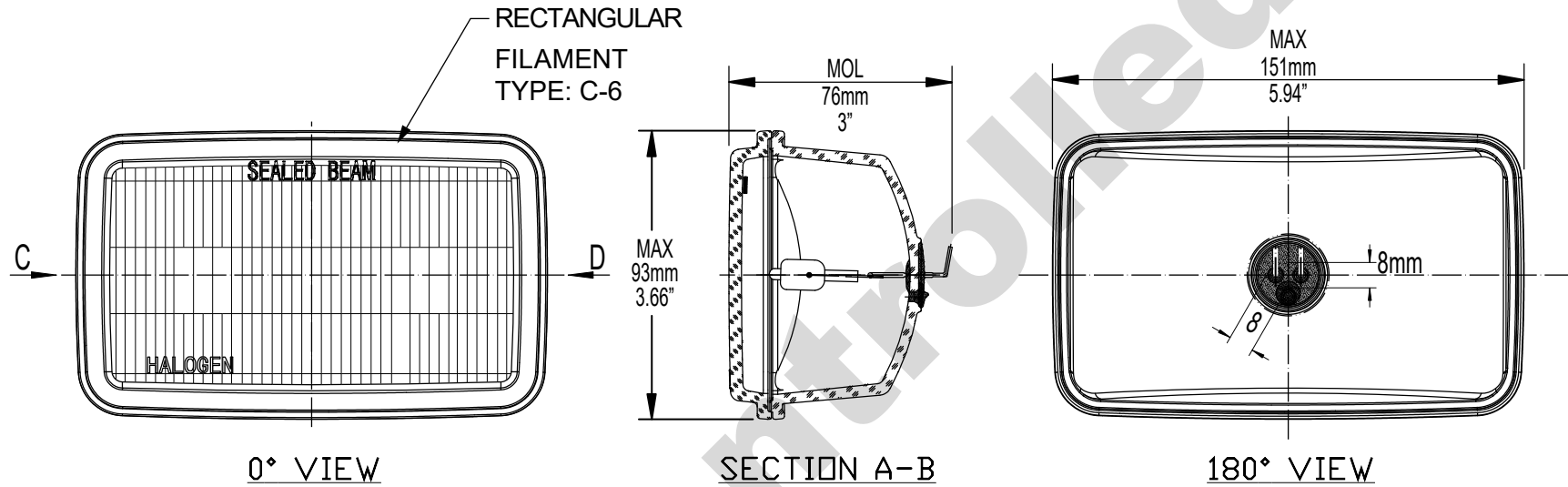


Since 1959

PART NO.	BASE TYPE	DESIGN VOLTS	DESIGN WATTS	APPROX. INITIAL MAX CP	BEAM SPREAD HOR. X VER. DEGREES	AVERAGE LIFE HOURS
H9415	2 LUGS RT. ANGLE	12.8	37.50	12,000	45 x 5	200

REVISIONS			
REV #	DESCRIPTION	DATE	APPROVED
1	ISSUED	10/05/2016	RM

H9415 12.8V 37.5W



I feel that we all walking on shells because even though

Note: Made according to SAE specifications

UNLESS OTHERWISE SPECIFIED: DIMENSIONS ARE IN INCHES TOLERANCES		CEC INDUSTRIES LTD	
DECIMALS	ANGULAR	599 BOND STREET LINCOLNSHIRE, IL 60069	
.XX ± .05	± 0.5°	TITLE SEAL BEAM H9415	
.XXX ± .010		DATE 10/05/2016	REV 1
FRACTIONAL	± 1/64	CHECKED ROSE MEDINA	SIZE A
DRAWN	DATE	SCALE	FSCM NO. H9415
DESIGN		PLOT SCALE	DWG NO. H9415
MATERIAL	FILE H9415.pdf	SHEET 1	OF 1
		DRAWING NOT TO SCALE	