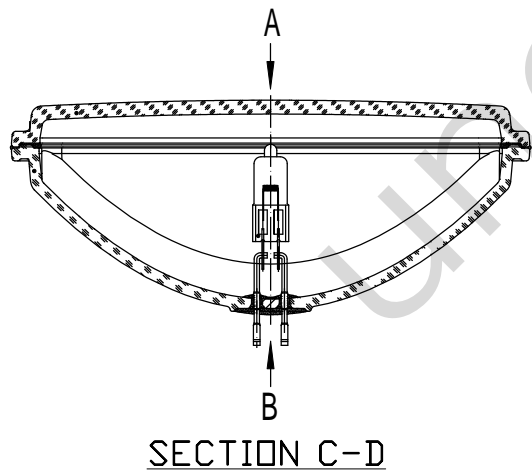
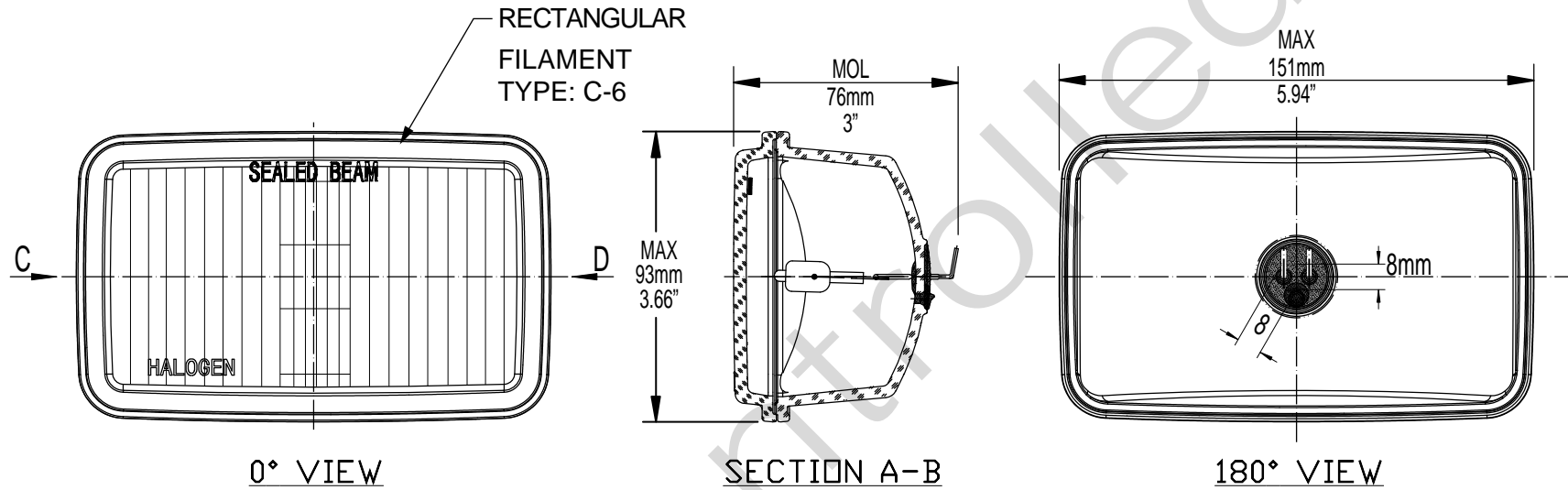




Since 1959

| PART NO. | BASE TYPE | DESIGN VOLTS | DESIGN WATTS | APPROX. INITIAL MAX CP | BEAM SPREAD HOR. X VER. DEGREES | AVERAGE LIFE HOURS | REVISIONS | | | |
|----------|------------------|--------------|--------------|------------------------|---------------------------------|--------------------|-----------|-------------|------------|----------|
| | | | | | | | REV # | DESCRIPTION | DATE | APPROVED |
| H9420 | 2 LUGS RT. ANGLE | 12.8 | 50 | 47,000 | 15 x 5 | 200 | 1 | ISSUED | 10/05/2016 | RM |
| | | | | | | | | | | |
| | | | | | | | | | | |

H9420 12.8V 50W



Note: Made according to SAE specifications

| | | | | | |
|---|--------------------|--------------------------|------------------|------------------------|--|
| UNLESS OTHERWISE SPECIFIED: DIMENSIONS ARE IN INCHES TOLERANCES | | CEC INDUSTRIES LTD | | | |
| DECIMALS | ANGULAR | 599 BOND STREET | | LINCOLNSHIRE, IL 60069 | |
| .XX ± .05 | ± 0.5° | | | | |
| .XXX ± .010 | | | | | |
| FRACTIONAL | ± 1/64 | | | | |
| DRAWN ROSE MEDINA | DATE 10/05/2016 | TITLE SEAL BEAM H9420 | | | |
| CHECKED | SIZE A | FSCM NO. | DWG NO. H9420 | REV 1 | |
| DESIGN | SCALE | PLOT SCALE | SHEET 1 OF 1 | | |
| MATERIAL | FILE H9420.pdf | DRAWING NOT TO SCALE | | | |