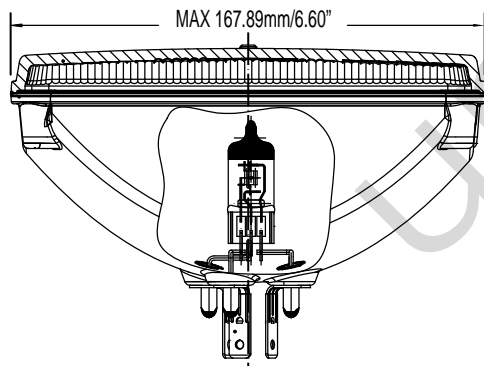
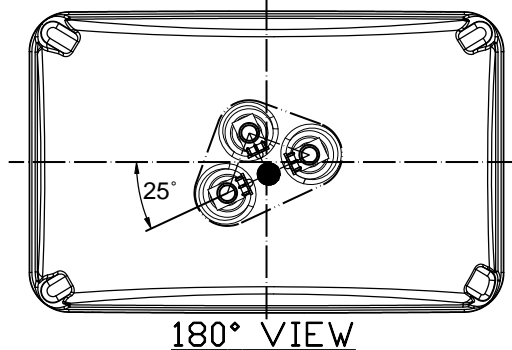
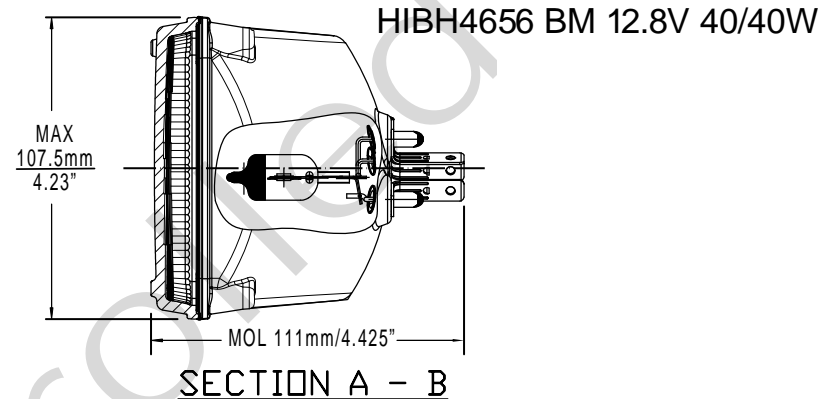
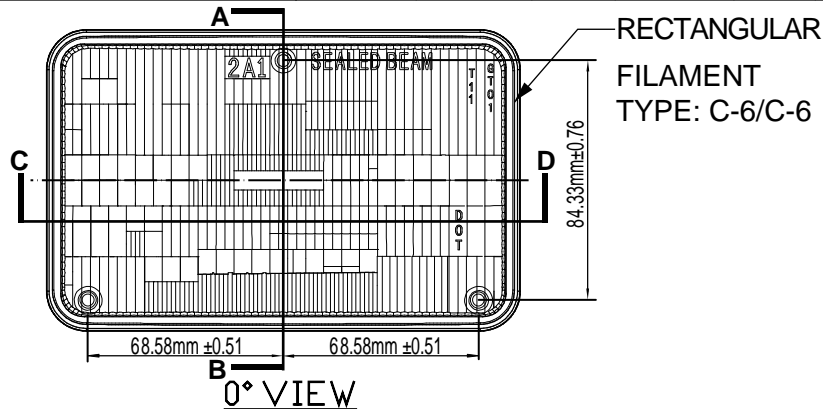




Since 1959

PART NO.	BASE TYPE	DESIGN VOLTS	MAXIMUM WATTS	APPROX. INITIAL MAX CP	BEAM SPREAD HOR. X VER. DEGREES	AVERAGE LIFE HOURS (AT 14V)	REVISIONS			
							REV #	DESCRIPTION	DATE	APPROVED
HIB H4656 BM	3 CONTACT LUGS	12.8V 12.8V	43W MAX. 65W MAX.	15,000 25,000	35 x 7 35 x 7	>200 >320	1	ISSUED	07/01/2020	RM



Note: Made according to SAE specifications

UNLESS OTHERWISE SPECIFIED: DIMENSIONS ARE IN INCHES TOLERANCES		CEC INDUSTRIES LTD			
DECIMALS	ANGULAR	599 BOND STREET		LINDOLNSHIRE, IL 60069	
.XX ± .05	± 0.5°				
.XXX ± .010					
FRACTIONAL	± 1/64				
DRAWN ROSE MEDINA	DATE 11/10/2016	TITLE SEAL BEAM HIBH4656 BM			
CHECKED		SIZE A	FSCM NO.	DWG NO. HIBH4656 BM	REV 1
DESIGN		SCALE	PLOT SCALE	SHEET 1	OF 1
MATERIAL		FILE HIBH4656 BM.pdf	DRAWING NOT TO SCALE		