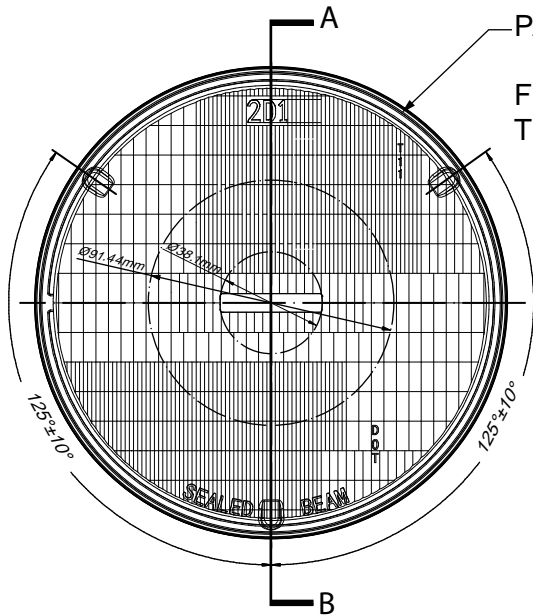




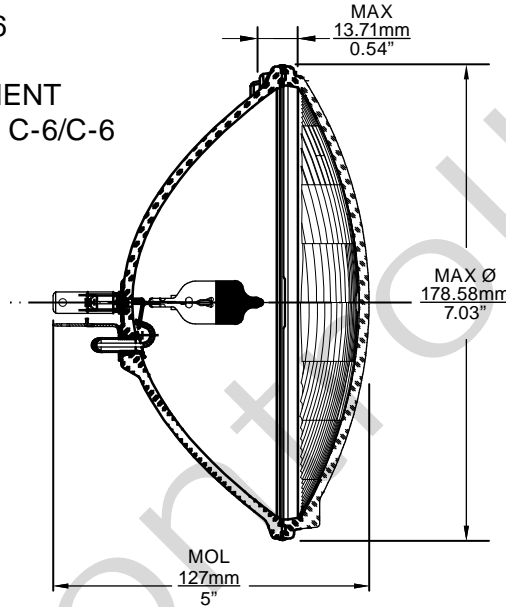
Since 1959

PART NO.	BASE TYPE	DESIGN VOLTS	MAXIMUM WATTS	APPROX. INITIAL MAX CP	BEAM SPREAD HOR. X VER. DEGREES	AVERAGE LIFE HOURS (AT 14V)	REVISIONS			
							REV #	DESCRIPTION	DATE	APPROVED
HIB H6024 BM	3 LUGS CONTACT TYPE	12.8V	65W MAX. 55W MAX.	32,000 25,000	34 X 7 34 X 7	>150 >320	1	ISSUED	07/01/2020	RM

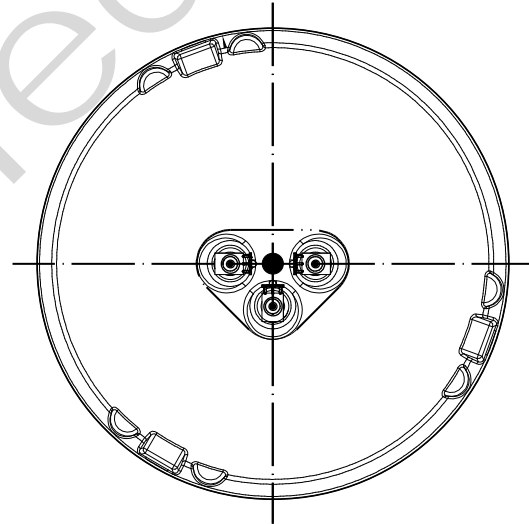
HIBH6024 BM 12.8V 65W/55W



0° VIEW



A-B SECTION



180° VIEW

Note: Made according to SAE specifications



UNLESS OTHERWISE SPECIFIED: DIMENSIONS ARE IN INCHES TOLERANCES		CEC INDUSTRIES LTD	
DECIMALS	ANGULAR	599 BOND STREET LINCOLNSHIRE, IL 60069	
.XX ± .05	± 0.5°		
.XXX ± .010			
FRACTIONAL	± 1/64		
DRAWN ROSE MEDINA	DATE 07/01/2020	TITLE SEAL BEAM HIBH6024 BM	
CHECKED		SIZE A	REV 1
DESIGN		FSCM NO.	DWG NO. HIBH6024 BM
MATERIAL		SCALE	SHEET 1 OF 1
		PLOT SCALE	DRAWING NOT TO SCALE
		FILE HIBH6024 BM.pdf	