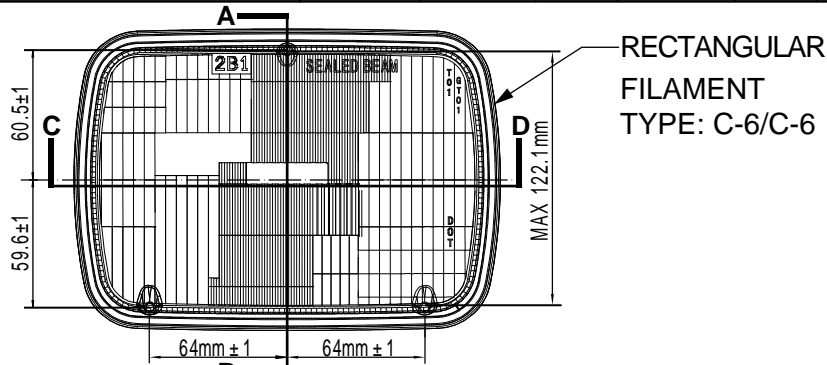


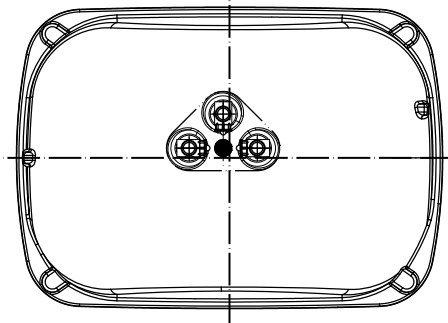


Since 1959

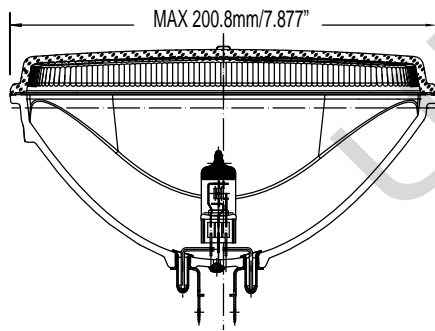
PART NO.	BASE TYPE	DESIGN VOLTS	MAXIMUM WATTS	APPROX. INITIAL MAX CP	BEAM SPREAD HOR. X VER. DEGREES	AVERAGE LIFE HOURS (AT 14V)	REVISIONS			
							REV #	DESCRIPTION	DATE	APPROVED
HIB H6054 BM	3 CONTACT LUGS	12.8V 12.8V	70W MAX. 60W MAX.	40,000 35,000	35 x 7 35 x 7	>150 >320	1	ISSUED	07/01/2020	RM



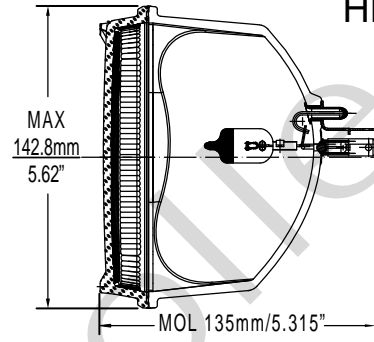
0° VIEW



180° VIEW



SECTION C - D



SECTION A - B

HIBH6054 BM 12.8V 65/42W

Note: Made according to SAE specifications

UNLESS OTHERWISE SPECIFIED: DIMENSIONS ARE IN INCHES TOLERANCES		CEC INDUSTRIES LTD			
DECIMALS	ANGULAR	599 BOND STREET		LINCOLNSHIRE, IL 60069	
.XX ± .05	± 0.5°				
.XXX ± .010					
FRACTIONAL	± 1/64				
DRAWN ROSE MEDINA	DATE 07/01/2020	TITLE SEAL BEAM HIBH6054 BM			
CHECKED		SIZE A	FSCM NO.	DWG NO. HIBH6054 BM	REV 1
DESIGN		SCALE	PLOT SCALE	SHEET 1 OF 1	
MATERIAL		FILE HIBH6054 BM.pdf	DRAWING NOT TO SCALE		